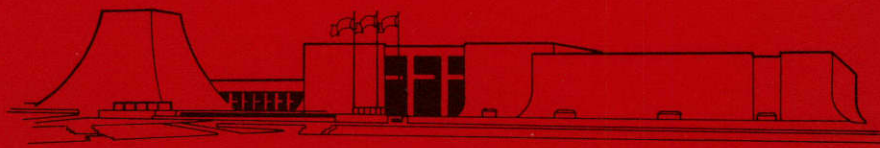


TT300.7  
M972  
No.4

# MUSEOLOGY



---

TEXAS TECH UNIVERSITY

---

## Supplies And Suppliers For Vertebrate Collections

by

**Robert C. Dowler and Hugh H. Genoways**

A PUBLICATION OF THE  
MUSEUM SCIENCE PROGRAM

NO. 4  
19 NOVEMBER 1976



## SUPPLIES AND SUPPLIERS FOR VERTEBRATE COLLECTIONS

ROBERT C. DOWLER and HUGH H. GENOWAYS

One of the main problems encountered by curators of vertebrate collections is obtaining supplies for their collections. Many times items are difficult to obtain because exact descriptions of the desired items are not available. These descriptions of materials are also extremely important to curators who must operate in a bid situation.

On other occasions, curators will find that desired items have been discontinued by distributors or manufacturers. Finding new sources for the item are often difficult and time consuming. To help alleviate these problems, we have assembled below a list of supplies commonly used in vertebrate collections and some of the suppliers of these items.

The supplies are listed alphabetically with as detailed a description as is possible for the item. Distributors of each item are given by a numerical code which corresponds to the list of distributors at the end of the paper. Price ranges have been included to give an approximate cost for items. Because of the fluctuating nature of prices, we suggest that persons ordering museum supplies first contact the supplier for current prices. Generally, the prices listed are those for September 1, 1975.

Many of the suppliers located in this study were brought to our attention by curators who answered the questionnaire distributed by Williams, Laubach, and Genoways (A guide to the management of Recent mammal collections. Spec. Publ., Carnegie Mus. Nat. Hist., in press, 1976). We wish to thank these curators for their cooperation in this project; without this cooperation the list would be considerably shorter.

As in any list of this kind, all suppliers have not been included. An effort has been made to find several nationwide distributors for each item. The absence of a distributor is coincidental and in no way reflects certain product availability. This list does not constitute a product endorsement for any supplier. All prices are given in U.S. dollars.

### SUPPLIES FOR VERTEBRATE COLLECTIONS

#### ACETIC ACID

Glacial Acetic Acid-99 1/2%

1 pt. bottles

13, 32, 34, 44, 55, 59, 84, 85, 92, 96, 138, 152, 172 . . . . . 1.90-4.60

5 pt. jugs

13, 32, 34, 44, 55, 59, 84, 85, 92, 96, 138, 152, 172 . . . . . 4.30-16.70

1 gal. jugs

44, 92, 154 . . . . . 6.45-7.00

6 1/2 gal. carboys

44, 92 . . . . . NA

15 gal. drums

59 . . . . . 73.50

55 gal. drums  
13, 44, 59, 154 . . . . . 200.00-217.00

**ACETONE**

1 gal.  
10, 13, 32, 34, 44, 55, 59, 84, 85, 92, 96, 138, 139, 152, 154, 166,  
172, 175 . . . . . 3.80-10.20  
case-4 gal.  
44, 55, 59, 85, 92, 96, 172 . . . . . 11.00-27.20  
5 gal.  
32, 34, 44, 59, 84, 85, 92, 96, 172, 175 . . . . . 10.00-42.40

**ADHESIVE SEALANT, SEE SEALANT****ALCOHOL HYDROMETER, SEE HYDROMETER****ALIZARIN RED S STAIN**

25 g.  
13, 32, 44, 55, 84, 96, 152, 172 . . . . . 2.87-10.10  
100 g.  
13, 44, 55, 96, 152, 172 . . . . . 12.50-23.20

**ALTIMETER**

Automobile altimeter; 0-14,000 ft., 100 ft. division; 3 1/4 in. diam. plastic case  
60, 63, 175 . . . . . 10.00-14.95  
Thommen "Everest" Pocket Altimeter; determines altitude above sea level in ft. to  
15,000 ft. (also available to 21,000 ft. at slightly higher price); leather case;  
measures 2 1/2 by 2 1/2 by 3/4 in.; wt. 3 oz.  
60, 72, 130 . . . . . 76.00-92.50  
Engineers Altimeter; 2 3/4 in. dial graduated in in. of mercury and ft. of altitude;  
0-15,000 ft. in 50 ft. divisions; leather carrying case  
60 . . . . . 85.00  
Same as above, but graduated in millibars and meters of altitude, in 20 meter  
divisions; from 0-4500 meters  
60 . . . . . 85.00  
Gischard Altimeter; temperature compensated, calibrated to 16,000 ft. with 100 ft.  
graduations; hard plastic case; 2 3/8 by 7/8 in.  
130 . . . . . 32.95  
Also several other models available at prices up to \$530.00  
60 . . . . . various

**ALUM**

Powdered  
1 lb.  
56, 77 . . . . . 0.50-0.95  
5 lbs.  
11, 56, 124, 171 . . . . . 1.20-3.20

10 lbs.	
11, 56, 77, 124, 171 . . . . .	2.00-6.50
100 lbs.	
11,171 . . . . .	11.70-28.85

**AMBROID CEMENT**

Cat. No. 12700. qt. cans	
29 . . . . .	4.10

**AMMONIUM HYDROXIDE (AQUEOUS AMMONIA)**

Technical grade	
1 gal.	
84 . . . . .	4.00
case (4 gal.)	
84 . . . . .	14.00
15 gal. carboy	
84 . . . . .	36.25
Laboratory grade	
6 1/2 gal. carboy	
59 . . . . .	14.20
Reagent grade	
1 gal.	
44, 96 . . . . .	7.25
case (4 gal.)	
44, 96 . . . . .	19.00-20.00
6 1/2 gal. carboy	
13, 44, 59, 85, 92, 96 . . . . .	16.00-21.00
55 gal. drum	
13 . . . . .	.NA
Industrial grade	
375 lb. drum	
66 . . . . .	37.30

**APPLICATOR STICKS**

For preparation of bird study skins; 6 in.; in box of 72 doz. Also available locally from pharmacies; \*minimum order 12

2*, 32, 62, 139, 166, 172, 179 . . . . .	2.02-3.70
6 in.; straight grain white birch; 72 doz./box in case of 12 boxes (10,368)	
44 . . . . .	16.00

**BAGS, SEE PLASTIC BAGS, SPECIMEN BAGS****BALANCES**

Ohaus triple beam balance; capacity 610 g, sensitivity 0.1 g; 6 in. stainless steel platform; outside dimensions 6 1/4 by 6 1/4 by 16 in.; wt. 5 1/2 lbs.

32, 34, 41, 44, 59, 84, 94, 119, 138, 139, 166, 172, 175 . . . . .	32.50-44.00
Ohaus Triple Beam Balance 760; same as above but with 200 g tare for weighing container compensation	

32, 34, 41, 44, 59, 84, 94, 119, 138, 139, 166, 172, 175 . . . . .	36.50-52.00
Ohaus metric attachment weights; two 1000 g and one 500 g wts. to increase capacity to 2610 g	
32, 34, 41, 44, 59, 84, 94, 119, 138, 139, 166, 172, 175 . . . . .	7.50-17.25
Ohaus Dial-O-Gram 1600; direct reading dial and vernier 100 g by 0.1 g, capacity 1600 g, sensitivity 0.1 g; 225 g tare; stainless steel plate- 6 in. in diam.	
32, 34, 41, 44, 59, 84, 94, 119, 138, 139, 166, 172, 175 . . . . .	59.75-105.50
Cenco triple beam balance; capacity 1110 g, sensitivity 0.1 g; white vitrolyte pan	
34 . . . . .	65.00
Cenco attachment wt.; 1000 g increasing capacity to 2110	
34 . . . . .	8.75
Triple beam scale, Welch No. 4048; capacity 1610 g, sensitivity 0.1 g (somewhat less if using attachment wt.); 5 3/4 in. stainless steel pan; outside dimensions 6 by 5 3/4 by 15 1/2 in.; wt. 4 1/2 lb.	
44, 138, 172 . . . . .	45.00

#### **BIRD STICKS, SEE APPLICATOR STICKS**

#### **BIRD TRAPS**

Sparrow trap; multi-entrance; galvanized steel mesh construction	
105 . . . . .	11.95
Sparrow trap; Havahart repeating trap of galvanized mesh and red wood	
7, 17, 60, 69, 116. . . . .	22.87-27.00
Funnel type sparrow trap; 1 by 1/2 in. galvanized 16 ga. wire mesh construction	
Two entrances	
164 . . . . .	13.80
Six entrances	
158 . . . . .	34.95
Funnel type quail trap; 1 by 1 in. 14 ga. welded wire; one funnel entrance; trap measures 36 by 18 by 8	
158 . . . . .	15.95
As above, but with two funnel entrances and live decoy compartment; measures 48 by 24 by 8	
158 . . . . .	39.95
Starling trap; wire mesh construction; 5 top entrances	
105 . . . . .	11.95

#### **BORAX**

Powdered	
1 lb.	
56, 77 . . . . .	0.45-0.95
2 lbs.	
11, 56, 124, 171 . . . . .	0.55-0.80
5 lbs.	
10, 11, 56, 77, 124, 147, 171 . . . . .	1.00-3.95
10 lbs.	
10, 11, 56, 124, 147, 171 . . . . .	2.65-3.85

100 lbs.

10, 11, 124, 147, 171 . . . . . 16.75-24.95

**BOTTLES, SEE SPECIMEN JARS****BOUIN FLUID**

1 pt.

32, 34, 152 . . . . . 3.00-4.00

1 qt.

85 . . . . . 7.00

1 gal.

85 . . . . . 22.50

5 gal.

85 . . . . . 67.50

**BOXES, SEE SKELETAL BOXES****BRAIN SPOONS**

Brain spoon with eye hook on opposite end; 4 1/2 in. long; chrome or nickel plated

56, 71, 124, 147, 171 . . . . . 1.75-3.95

**CALIPERS**

Helios Dial Calipers; 1 1/2 in. diam. dial with unbreakable and distortionless plexi-glass; hardened stainless steel satin chrome finish; direct dial reading; knife edge top jaws and lower jaws measure outside dimensions; thumb roll adjustment; range 0-16 cm reading in 0.05 mm; wood case

61, 76, 111 . . . . . 75.00-77.00

Same as above but with range of 250 mm

61, 111 . . . . . 101.00-115.00

Same as above but with range of 300 mm

111 . . . . . 137.50

Helios Dial Calipers; similar to above but with needle points on top jaws; measures outside dimensions; 170 mm range

76, 111 . . . . . 97.00

Same as above but with needle points on both upper and lower jaws

111 . . . . . 121.00

Helios Combination Metric/Inch Dial Calipers; knife edge top jaws and lower jaws measure outside dimensions; scales and accuracy 1/1000 in. or 1/10 mm; 160 mm range; fixed dial

111 . . . . . 97.00

Helios Large Dial Calipers; similar construction as above but only one pair of jaws with a depth of 5.9 in.; accuracy to 0.05 mm

600 mm

61 . . . . . 450.00

900 mm

61 . . . . . 650.00

Helios Dial Calipers; similar to above models but with cross top jaws (points measure inside dimensions) and regular lower jaws (measure outside dimensions); adjustable dial

100 mm	
60, 76	37.00-41.00
150 mm	
76, 61, 111	54.50-60.50

Helios Series 100 Dial Calipers; similar to above model but without adjustable dial

150 mm	
76	37.00
200 mm	
76	50.00
300 mm	
76	79.00

Metric precision dial calipers; stainless steel, satin chrome finish; measures inside (points), outside (jaws), and depth; 150 mm range; thumb roll; accuracy to 0.05 mm

100	39.40
-----	-------

Mitutoyo Dial Calipers; stainless steel, satin chrome finish; measures inside (points), outside (jaws), depth, and step dimensions; 150 mm range; 0.02 mm graduations

76	42.00
----	-------

Mitutoyo Metric Dial Calipers; same as above but with 0.05 mm graduations

100 mm	
76	25.00
150 mm	
60, 76	37.00-41.00
200 mm	
76	52.50
300 mm	
76	79.00

Mitutoyo precision vernier calipers; stainless steel, satin chrome finish; inside (points), outside (jaws), and depth measurements; available with thumb roll, locking screw, thumb clamp, or fine adjustment features; 1/20 mm to 1/50 mm graduations

150 mm	
60, 76	19.00-24.00
200 mm	
76	22.00-25.00
300 mm	
76	55.00

Mitutoyo heavy duty vernier calipers; single pair of jaws; similar construction as above; 0.02 mm graduations

300 mm (depth of jaws 75 mm)	
76	87.00



450 mm (depth of jaws 100 mm)	
76 . . . . .	132.00
600 mm (depth of jaws 100 mm)	
76 . . . . .	160.00
1000 mm (depth of jaws 60 mm)	
76 . . . . .	290.00
1500 mm (depth of jaws 100 mm)	
76 . . . . .	535.00
Mitutoyo long jaw vernier calipers; as above but with extra long jaws	
300 mm (depth of jaws 90 mm)	
76 . . . . .	88.00
500 mm (depth of jaws 200 mm)	
76 . . . . .	173.00
1000 mm (depth of jaws 200 mm)	
76 . . . . .	225.00
PAV high precision vernier calipers; stainless steel; knife edge upper jaws and regular lower jaws, both for outside dimension measurement; 0.05 mm graduations	
200 mm	
76 . . . . .	65.00
250 mm	
76 . . . . .	75.00
300 mm	
76 . . . . .	125.00
Helios master vernier calipers; stainless steel construction; inside (points), outside (jaws), and depth measurements; with thumb lock slide; depth of jaws 1.3 in.; 150 mm/6 in. range; 1/20 mm - 1/128 in. graduations	
61, 76 . . . . .	26.50-33.50
Precision workshop vernier calipers; made of tool steel; adjusting slide; knife edge upper jaws and regular lower jaws; measures in mm and in.; 280 mm/11 in. range; also available in 500, 600, 800, and 1000 mm sizes	
100 . . . . .	49.40
Pocket vernier calipers; stainless steel; inside (points), outside (jaws), and depth measurements; measures in mm and fractional in.; 120 mm/4 1/2 in. range	
100 . . . . .	7.40
Similar to above but made of nickel-plated steel	
100 . . . . .	3.70
Same as above but made of plastic	
100 . . . . .	2.40
Precision vernier caliper; stainless steel; with thumb lock; measures in mm and decimal in.; same jaws as above; 150 mm/6 in. range	
100 . . . . .	19.10

**CAMERA LUCIDA (DRAWING ATTACHMENT)**

Zeiss Drawing Tube; for use with the Zeiss stereo zoom microscope IV/b; drawing tube is mounted between microscope body and viewing tube; drawing surface is

reflected into the viewing tube and is viewed with specimen

44, 49, 172, 183 . . . . . 653.00-943.00

Wild Drawing Tube; for use with the Wild M5 stereomicroscope, image of paper and pencil are superimposed on that of specimen; drawing surface can be focused independently of specimen; can be used in front or rear working position and by left or right handed observers; magnification factor 1.25x, with case

143, 172, 180 . . . . . 443.00

Same as above but for Wild stereomicroscopes M4 and M4A, magnification factor 1.0x

143, 172, 180 . . . . . 367.00

aus JENA Drawing Attachment; for use with the aus JENA stereomicroscope SM XX; permits microscope image to be traced on horizontal drawing surface; brightness of microscope image and drawing surface can be matched by means of separate light regulators; for use with SM XX it is necessary to replace the observation tube by an adaptor for the drawing attachment in which the normal SM XX eyepieces are employed

75, 143 . . . . . .NA

#### CAMP COOK KITS

Aluminum cook kit; service for four people; consists of 6 qt. bucket with cover (9 1/4 in. fry pan), 7 7/8 in. fry pan, 4 qt. pot, 2 qt. pot, coffee pot with cover, 4 plates, 4 polypropylene cups; all but cups aluminum; all items nest in one unit

28, 60, 63, 69, 125, 130 . . . . . 12.95-16.37

Stainless steel cook kit; two covered sauce pans (1 1/2 and 3 qt.), 10 in. skillet, Teflon II lined, 5 qt. utility/salad bowl; pans and skillet have removeable handles; all utensils nest into one unit

18, 60, 63 . . . . . 39.95-53.02

Aluminum cook set; service for six people; includes 9 1/2 in. and 8 1/2 in. Teflon coated fry pans, 6 qt. bucket, 2 and 4 qt. pots, 2 handles, 6 aluminum plates, 6 polypropylene drinking cups, 2 qt. coffee pot; all pieces nest into one unit

104, 141 . . . . . 17.99

Also usually available locally.

#### CAMP LANTERNS

Coleman gas lantern; double mantle; two pt. tank, uses Coleman fuel or white gas; 13 7/8 by 6 in. dimensions. Also locally available

40, 125 . . . . . 18.90

Coleman propane lantern; double mantle; pyrex globe, built in regulator, uses bottled propane fuel. Also locally available

40, 141 . . . . . 17.00

#### CAMP STOVES

Coleman two-burner camp stove; uses bottled propane fuel; folds to 20 1/2 by 12 by 4 in.

40, 141 . . . . . 20.00-30.00

Same as above, but uses Coleman fuel, or white gas. Also available locally

40, 125, 141 . . . . . 15.00-25.00

Coleman three burner camp stove; same construction as two burner model; uses Coleman fuel or white gas. Usually locally available

40 . . . . . 30.00-40.00

### CAPSULES, GELATIN

In packages of approximately 1000/5000 (sequence for)

Size 000

62 . . . . . 14.50/---

Size 00, 1.0 cc.

62 . . . . . 13.00/52.00

Size 0, 0.8 cc.

62 . . . . . 9.00/36.00

Size 1, 0.5 cc.

62 . . . . . 8.00/32.00

Also available from pharmacies in packages of 100

Locally available . . . . . 1.00-2.00

### CAPSULES, POLYETHYLENE

BEEM capsules, polyethylene capsule with attached top

Size 00, 1.0 cc; 100 cap.

62, 82 . . . . . 5.00

Size 00, 1.0 cc; 500 cap.

62, 82 . . . . . 17.50

Size 00, 1.0 cc; 1000 cap.

62, 82 . . . . . 25.00-27.50

See also, **GENITALIA CAPSULES**

### CARBON DISULFIDE

5 pt.

13, 32, 34, 59, 84, 92, 96, 152, 166 . . . . . 5.00-25.15

5 gal.

92, 96, 152 . . . . . 40.00-44.10

### CARBON TETRACHLORIDE

1 gal.

13, 32, 34, 44, 55, 84, 85, 92, 96, 152, 166, 175 . . . . . 10.15-20.75

5 gal.

13, 34, 55, 59, 85, 92, 96, 152 . . . . . 38.00-67.95

55 gal.

13, 59 . . . . . 203.00

### CARBOYS

Nalgene rectangular aspirator carboys with spigot; linear polyethylene; polypropylene screw closures; liter/gallon graduations; spigot incorporates two Teflon O-Rings for positive seal; wide-mouth (100 mm)

2 1/2 gal.	
41, 44, 59, 94, 106, 139, 172 . . . . .	14.11-23.00
5 gal.	
41, 44, 59, 94, 106, 139, 172 . . . . .	23.05-33.00
Nalgene aspirator bottles with spigot; round; conventional polyethylene; polypropylene screw closure; leakproof spigot, leakproof closures	
1 gal.	
34, 41, 44, 84, 94, 106, 139, 166, 172 . . . . .	14.70-16.50
2 gal.	
34, 41, 44, 84, 94, 106, 139, 166, 172 . . . . .	12.81-27.25
5 gal.	
34, 41, 44, 84, 94, 106, 139, 166, 172 . . . . .	20.68-35.40
6 1/2 gal.	
34, 41, 44, 84, 94, 106, 139, 166, 172 . . . . .	23.75-37.50
13 gal.	
34, 41, 44, 84, 94, 106, 139, 166, 172 . . . . .	30.81-50.00
10% discount on case orders.	
Bel-Art polyethylene bottles with faucet; needle type faucet; supplied with screw plug to replace faucet for storage purposes	
1 gal.	
20, 32, 152 . . . . .	10.25-12.00
2 gal.	
20, 32, 152 . . . . .	11.75-14.00
5 gal.	
20, 32, 152 . . . . .	18.25-21.75
6 1/2 gal.	
20, 32, 152 . . . . .	21.00-24.25
13 gal.	
20, 32, 152 . . . . .	27.50-32.00
5% discount on case orders.	

**CARTS, LABORATORY UTILITY**

Heavy duty stainless steel cart; 3 shelves, 17 3/4 by 27 in.; guard rails; 400 lb. capacity; overall dimensions, 19 by 31 by 33 1/4 in.	
32, 34, 41, 44, 59, 81, 138, 139, 166, 172, 175 . . . . .	50.25-112.50
Smaller stainless steel cart; 200 lb. capacity; 15 1/2 by 24 in. shelves 33 1/4 in. high; 9 in. clearance between shelves; guard rails	
34, 41, 166, 172 . . . . .	77.00-107.50
Large stainless steel cart; 21 by 35 in. shelf size; 400 lb. capacity; 13 in. clearance between shelves; overall dimensions 22 1/2 by 39 by 37 1/2 in.; no guard rails	
34, 41, 172 . . . . .	129.00
Stainless steel laboratory cart; ball bearing casters; 3 shelves; overall dimensions 27 by 15 1/2 by 31 1/2 in.; raised edge on three sides of two shelves	
34, 44, 81, 139 . . . . .	40.50-68.50

**CATALOGS**

Boorum and Pease Account Book No. 9-300 Rec. Locally Available at Office Supply Stores. . . . .	16.90
Shaw Account Book S-149 R300 (record book, 300 pp.) Locally Available from Office Supply Stores . . . . .	10.40
Catalog of the mammal collection of The Museum, Texas Tech Univ.; 12 by 14 in.; 32 lb. Mechano Farm Ledger 50%; 500 sheets; kept in custom made binder Local Printers . . . . .	155.50
Post binder, for above catalog sheets; top lock, 2-hole (6 3/4 in. center to center on 12 in. side) with 3/8 in. posts, for sheet size of 12 by 24 in.; green canvas cover 170 . . . . .	35.75
Custom made post binders for any size catalog page 170 . . . . .	.NA

**CATALOG STORAGE CASE**

Chest safe; withstands temperatures to 1700 degrees for one hour; inside dimen- sions 9 1/2 by 14 1/2 by 6 in.; combination lock 125, 141 . . . . .	65.95-69.95
Same as above but with key lock 125 . . . . .	62.95
Flameguard steel files; file cabinets with insulated bottom drawers; withstands temperatures of 1700 degrees for one hour; plunger lock Four drawers 25 by 18 1/2 by 52 in. 141 . . . . .	215.00
Two drawers 25 by 18 1/2 by 29 in. 141 . . . . .	156.00
Two drawers 18 by 15 by 29 in. 141 . . . . .	110.00
Schwab insulated files; protects contents from fire temperatures reaching 1700 degrees for one hour; inner steel jacket, baked enamel finish Two drawer 16 1/2 by 27 9/16 by 31 7/8 in. 60 . . . . .	320.00
Two drawer 19 1/2 by 27 9/16 by 31 7/8 in. 60 . . . . .	350.00
Four drawer 16 1/2 by 53 9/16 by 31 7/8 in. 60 . . . . .	480.00
Four drawer 19 1/2 by 53 9/16 by 31 7/8 in. 60 . . . . .	530.00

**CHLORETONE**

1, 1, 1-Trichloro-2-methyl-2-propanol 100 g. 32, 34, 44, 55, 59, 84, 92, 96, 175 . . . . .	4.08-7.59
200 g. 55, 59, 96, 138 . . . . .	11.95-12.80

**CHLOROFORM**

1 gal.

13, 32, 44, 55, 59, 84, 92, 138, 152, 166, 175 . . . . . 11.20-29.68

**COLORIMETERS**

Bausch and Lomb Spectronic 20 spectrophotometer; wavelength range, 340 to 600 nm (to 950 nm with accessory filter and phototube); spectral slit width 20 nm; stray light less than 0.5% over full range; wavelength accuracy better than 2.5 nm, wavelength precision better than 1.0 nm; photometric readout on 5 1/2 in. mirrored scale meter in linear T and absorbance units; standard model

19, 34, 44, 59, 84, 172, 175 . . . . . 425.00-535.00

Regulated model; same as above but with voltage regulation system to compensate for even severe fluctuations in voltage; rapid warm-up

19, 34, 44, 59, 81, 138, 172, 175 . . . . . 525-645.00

Reflectance accessory for B & L Spectronic 20; fits sample well of Spectronic 20; needle of light focused on sample; reflected light added up by integrating sphere; converted to % reflectance by photomultiplier; handles any size sample

19, 44, 59, 138, 172 . . . . . 525.00

Bausch and Lomb Spectronic 200-UV; double-beam, single-grating UV-visible spectrophotometer; built-in wave length scanning; linear A and T readout, with digital or meter readout; catalog No. 39-6024

19, 172 . . . . . 5395.00-6600.00

Reflectance sphere for above unit, fits within sample compartment for reflectance reading; catalog No. 39-20-35

19, 172 . . . . . 1250.00-1350.00

Flatbed recorder and y-axis module for above unit

19 . . . . . 1100.00

Photovolt 670 color and gloss meter; readability better than 0.5%; 4 position tilting frame meter, 5 1/2 in. taut band, mirrored scale 0-100%; any 10% range can be expanded over the full meter; search unit, recorder outlets, adjustable, 900-1100 mv; reflection meter with Y search unit

126, 172 . . . . . 815.00

**COMPASSES**

Suunto liquid filled compass; readings to 1/6 degree hand held; no-freeze, no-boil liquid stops needle card in less than 1 sec.; 3 by 2 by 3/4 in.; leather case and neck cord

60 . . . . . 38.00

Silva ranger compass, type 15; liquid filled, sighting mirror, transparent protector plate and needle housing to clearly show needle position; 4 by 2 1/2 by 3/4 in.

60, 72, 130, 175 . . . . . 19.30-22.50

Herter's pocket compass; lightweight, watch jewel bearing, cover has chrome mirror and sight; map scale on case

69 . . . . . 4.37

Wilkie lensatic compass, liquid filled compass with jewel bearings, bubble level indicator and tripod mount; fixed focus lens system; luminous leather case; 1 by 2 1/2 by 3 1/4 in.

130 . . . . . 37.00

Distributors No. 60 and 130 also carry a wide variety of other compasses at all prices.

**CONIBEAR TRAPS, KILL TRAPS**

Square, body-gripping, kill traps; No. 110 single spring-jaw; spread 4 1/2 by 4 1/2 in.

per trap

17, 23, 28, 30, 60, 64, 116, 140, 145, 150, 151, 162, 174 . . . . . 2.50-2.95

Per doz.

17, 23, 30, 33, 60, 63, 64, 104, 112, 116, 118, 140, 144, 145, 150, 151, 162, 174, 182 . . . . . 20.95-32.25

No. 220, single spring; jaw spread 7 by 7 in.

Per trap

17, 28, 30, 60, 63, 64, 104, 116, 140, 145, 150, 151, 162, 174 . . . 4.20-6.03

Per doz.

17, 30, 33, 60, 63, 64, 118, 140, 144, 145, 150, 151, 162, 174, 182. . . 43.00-62.00

No. 330, double spring; jaw spread 10 by 10 in.

Per trap

17, 30, 60, 63, 64, 112, 116, 140, 145, 150, 151, 162, 174 . . . 10.75-13.89

Per case of four

17, 33, 60, 63, 64, 104, 112, 116, 118, 144, 145, 150, 151, 162, 174 . . 36.00-55.50

Per doz.

30, 60, 64, 118, 140, 145, 162, 174, 182 . . . . . 110.84-155.50

Herter's Professional Killer Trap; similar in design to Conibear trap but with single trip wire triggering device; single spring

No. 10, 4 3/4 in. jaw spread; per 6

69 . . . . . 10.24

No. 10, 4 3/4 in. jaw spread; per 12

69 . . . . . 19.95

No. 30, 10 1/2 in. jaw spread; each

69 . . . . . 8.47

No. 30, 10 1/2 in. jaw spread; per 6

69 . . . . . 49.68

No. 30, 10 1/2 in. jaw spread; per 12

69 . . . . . 93.97

The Dahlgren Trap; new design kill trap

7 1/2 in. diameter; each

151 . . . . . 5.50

7 1/2 in. diameter; doz.

151 . . . . . 55.00

12 in. diameter; each	
151 . . . . .	11.00
12 in. diameter; doz.	
151 . . . . .	115.00
Bigelow Killer Traps; 7 sizes from 6 in. to 12 3/4 in. in diameter	
Per trap	
151 . . . . .	3.50-14.00
Per doz.	
151 . . . . .	38.00-140.00
Hunter Trap; new kill trap; lightweight, 4 1/2 in. jaws	
Per trap	
17, 150 . . . . .	2.40-2.60

### COOK KITS, SEE CAMP COOK KITS

### COOLERS, ICE CHESTS

Standard ice chest; ABS plastic exterior, polyurethane insulation	
101 qt.	
125 . . . . .	37.00
50 qt.	
125 . . . . .	18.00
32 qt.	
125 . . . . .	13.00
15 qt.	
125 . . . . .	8.00
Coleman 68 qt. cooler; use as chest or upright; door hinges right or left; galvanized steel case, polyurethane insulation; plastic interior; ice compartment and water tap	
125 . . . . .	38.00
84 qt. Igloo ice chest; plastic with polyurethane insulation; two food trays, 1 gal. water jug	
104 . . . . .	50.00
Similar to above, but 101 qt.	
104 . . . . .	60.00
76 qt. standard ice chest; polyethylene with urethane insulation	
141 . . . . .	28.00
Also usually available locally.	
Hudson Bay Wilderness Ice Chest; outside of duraluminum with 1 in. thick epofoam insulation; drain plug in bottom	
22 1/2 by 13 1/2 by 17 in.	
69 . . . . .	26.48
28 by 16 by 16 in.	
69 . . . . .	34.97

See also **DRY ICE STORAGE CHESTS**

### COOLERS, WATER

Gott all-plastic water cooler; wide-mouth screw tight lid, drinking cup	
2 gal.	
60 . . . . .	10.95



Same as above but with seat top lid, bail handle	
3 gal.	
60	17.70
Same, but with sturdy side handles	
5 gal.	
60	23.15
10 gal.	
60	36.00
Igloo portable water cooler; heavy duty metal, polyurethane insulation; perma-lined	
3 gal.	
60	26.80
5 gal.	
60	32.32
10 gal.	
60	38.71
Same, but stainless steel lined	
3 gal.	
60	36.20
5 gal.	
60	43.86
10 gal.	
60	61.20
Standard metal coolers; made as above, but with air space insulation; galvanized lined	
3 gal.	
60	16.65
5 gal.	
60	22.98
10 gal.	
60	33.24
Same as above, but perma-lined	
3 gal.	
60	18.27
5 gal.	
60	23.69
10 gal.	
60	35.24
Industrial all-plastic coolers; high impact plastic; urethane insulation; contour handles	
5 gal.	
60	26.51
10 gal.	
60	41.45

Truck racks available for all above

60 . . . . . various

Many coolers also often available locally.

### CORKS

Various sizes and grades for shell vials

4, 32, 34, 44, 79, 108, 138, 152, 172, 175 . . . . . various

### COTS

Folding camp cot; 10 oz., O. D. cover; 72 by 25 by 16 in.; folds to 36 by 8 by 4 in.; wt. 12 3/4 lbs.; hardwood frame, plated steel parts

60, 125 . . . . . 11.95-13.80

Folding cot; spring steel legs, heavy green duck cover; 72 by 24 in.; folds to 25 by 8 1/2 by 2 in.

69 . . . . . 13.57

Aluminum folding travel cot; 12 oz. duck cover; 77 by 27 by 9 in.; folds to 39 by 2 by 8 in.; 7 lbs.

63, 69, 130 . . . . . 15.97-19.00

Government style cot; 12 oz. white cover; 77 by 27 by 16 in.; folds to 38 by 6 by 4 in.; wt. 18 lbs.; hardwood and plated steel frame

60 . . . . . 21.80

Double decker aluminum cot; provides extra sleeping space, can be used as two floor cots; 76 by 25 in.; wt. 20 lbs.

Plastic cover

60, 125 . . . . . 32.00

Nylon cover

104 . . . . . 40.00

Folding aluminum cot; 25 by 72 in.; folds flat

Green duck

141 . . . . . 12.00-15.00

Nylon

104 . . . . . 17.00

Various types available locally.

### COTTON

Long staple cotton; type Barb; 18 in. wide, 15 lb. rolls; minimum order 100 lbs.

Per lb.

50 . . . . . 2.25

Fine quality pure white cotton wool in zig-zag 1 lb. packages

179 . . . . . .NA

University plugging cotton; non-absorbent, non-sterile cotton in 12 oz. rolls; 20 rolls per carton

1 to 4 cartons

133 . . . . . 22.50

5 to 19 cartons

133 . . . . . 21.50

20 + cartons	
133 . . . . .	20.75
Non-absorbent cotton in 1 lb. rolls	
Per pound	
138, 175 . . . . .	1.95-2.50
Mountain Mist cotton; quilt batting in two sizes	
81 by 96 in.	
153, 156 . . . . .	1.53-2.50
81 by 108 in.	
153, 156 . . . . .	1.70-2.75
Mountain Mist polyester batting	
81 by 96 in.	
153, 156 . . . . .	2.59
81 by 108 in.	
153, 156 . . . . .	3.25
Other polyester batting usually available locally.	
Super-6 grade cotton; long fiber; in 25 lb. rolls, 27 in. wide	
Per pound	
121 . . . . .	0.55
Long fiber, non-absorbent, non-sterile, white cotton in 1 lb. rolls	
1, 44 . . . . .	2.00
Per pound in 10 lb. lots	
1, 44 . . . . .	1.80
Bacteriological plugging cotton; non-absorbent, white in 1 lb. rolls	
Unbleached, 1 lb.	
2, 32, 139, 172 . . . . .	1.88-2.10
Unbleached, 10 lbs.	
2, 32, 139, 172 . . . . .	16.65-19.95
Unbleached, 25 lbs.	
2, 139, 172 . . . . .	31.25-44.50
Bleached, 1 lb.	
2, 32, 139, 172 . . . . .	2.50-2.75
Bleached, 10 lbs.	
2, 32, 139, 172 . . . . .	21.95-25.00
Bleached, 25 lbs.	
2, 139, 172 . . . . .	36.00-49.50

**DRY ICE STORAGE CHESTS**

Thermo-safe table top dry ice keeper; No. 304; 1 1/2 in. thick walls of styrene; inside dimensions, 10 by 12 by 9 in.; outside dimensions 13 by 15 by 12 1/2 in.; wt. 5 lbs.

41, 59, 127 . . . . .	27.50-55.00
-----------------------	-------------

Thermo-safe utility 5 cu. ft. container; No. 303; laminated fiberboard case; insulating walls of expanded polystyrene; tight fitting lids; for use as field collection units; inside dimensions, 23 by 14 by 23 in.; outside dimensions, 28 by 19 by 28 in.; holds 235 lbs. dry ice

41, 59, 127 . . . . .	29.75-48.50
Thermo-safe utility 1 1/2 cu. ft. container; No. 308; same as above but with inside dimensions, 17 1/4 by 10 by 16 1/2 in.; outside dimensions, 21 by 13 1/2 by 20 in.; holds 75 lbs. dry ice	
41, 59, 127 . . . . .	14.50-23.75
Thermo-safe utility 2 1/2 cu. ft. container; No. 306; same as above but with inside dimensions, 17 by 17 by 16 in.; outside dimensions, 20 by 20 by 20 in.; holds 120 lbs. dry ice	
41, 59, 127 . . . . .	20.80-31.10
Other sizes also available.	

See Also **COOLERS, ICE CHESTS**

### **DRYING CASE**

Steel Fixture Model DVA; compact drying cabinet that matches Model VA Vertebrate Skin Case; controlled heat removes moisture from specimens, with heat unit and temperature control; includes ten expanded metal trays for free air circulation; tray dimensions, 24 1/16 by 27 1/2 by 1 11/16 in.; case outside dimensions, 39 1/2 by 27 1/4 by 38 in.; white, gray, or olive green	
157 . . . . .	630.00

### **EMBALMING FLUID (PHENOLFORMALIN GLYCOL SOLUTION)**

Concentrate-one to six parts water	
1 gal.	
152 . . . . .	2.00
4 gal.	
152 . . . . .	4.50
Concentrate-one to nine parts water	
1 liter	
175 . . . . .	2.45
4 liters	
175 . . . . .	7.50
1 gal.	
32 . . . . .	7.25

### **EOSIN Y**

Biological Stain	
25 g.	
13, 32, 44, 55, 59, 84, 85, 92, 96, 152, 175 . . . . .	2.55-7.95
100 g.	
13, 59, 85, 152 . . . . .	8.90-24.50

### **ETHANOL (ETHYL ALCOHOL)**

4 by 1 gal.	
13, 32, 59, 138, 152 . . . . .	10.00-32.50
5 gal.	
32, 44, 59, 84, 85, 92, 138, 175 . . . . .	12.00-32.20

55 gal.  
47, 59, 117 . . . . .92.95-157.30

**FAA (FORMALDAHYDE-ACETIC ACID-ALCOHOL)**

4 liters  
175 . . . . .5.25  
1 gal.  
32, 59, 152 . . . . .4.80-8.50  
5 gal.  
175 . . . . .9.95

**FIELD NOTEBOOK PAPER**

Blake, Moffitt, Towne's "Success" bond, white, sub 20, 75% rag content; uncut size 28 by 34 in.; cut size 6 3/8 by 8 3/4 in.; ruling, horizontal faint blue, vertical red on one side only; perforations; diameter of holes to be 5/16 in.; left margin of holes to be set in 3/16 in. from left margin of sheet; in ream lots (specification used at Museum of Vertebrate Zoology, Berkeley)

Local printers . . . . .NA

100% rag content, Oriole Linen Bond; 6 1/4 by 9 1/2 in., single color ruling; per 1000 sheets (specifications used at The Museum, Texas Tech University)

Local printers . . . . .24.60

**FLESHING TOOLS, SEE SCRAPERS**

**FORCEPS**

Straight dissecting forceps; fine serrated points with guide pin; 4 1/2 in.; nickel plated steel

Each  
22, 32, 34, 38, 44, 59, 77, 81, 84, 85, 103, 138, 139, 152, 166, 172, 175 . 0.65-1.55

Doz.  
22, 32, 34, 38, 44, 81, 84, 139, 152, 166, 175 . . . . . 6.50-12.55

Straight dissecting forceps; medium serrated points with guide pin; 4 1/2 in.; nickel plated steel

Each  
22, 32, 34, 38, 44, 59, 81, 84, 85, 138, 139, 152, 166, 172, 175 . . 0.67-1.25

Doz.  
22, 32, 34, 38, 44, 59, 81, 85, 139, 152, 166, 172 . . . . . 6.85-12.00

Similar to above but stainless steel; many other stainless steel types available

38, 179 . . . . .2.25-7.00

Curved dissecting forceps; fine serrated points and guide pin; 4 1/2 in.; nickel plated steel

Each  
22, 32, 38, 59, 77, 81, 85, 103, 138, 139, 152, 166, 171, 172, 175 . . . . 0.75-1.50

Doz.  
22, 32, 34, 38, 44, 81, 139, 152, 166, 175 . . . . . 7.50-12.50

Watchmaker forceps; stainless steel with very fine points; 4 1/2 in.

22, 32, 38, 44, 62, 81, 82, 103, 152, 166, 175 . . . . .	3.05-8.00
Specimen forceps (bottle forceps); straight blunt, serrated tips and handle; nickel plated steel; 10 in. length	
22, 32, 34, 38, 59, 81, 103, 139, 152, 166, 172 . . . . .	2.47-4.50
Same as above but 12 in. length	
32, 38, 59, 81, 152, 166, 172, 175 . . . . .	2.95-6.20
Bottle forceps; scissor type; stainless steel with straight serrated jaws; length to 10 in.	
84, 85, 152, 166, 172 . . . . .	3.35-9.95

## FORMS

Accession form (see Williams <i>et al.</i> , 1976)	
Per 1000	
Locally available from printers . . . . .	6.15
Measurement recording sheet	
Per 1000	
Locally Available from Printers . . . . .	6.15
Withdrawal slip; to mark removed specimens (see Williams <i>et al.</i> , 1976)	
Per 1000	
Locally Available from Printers . . . . .	.NA
Field data sheets	
Per 1000	
Locally Available from Printers . . . . .	6.15
Standard Loan Form, in triplicate (see Williams <i>et al.</i> , 1976)	
Per 1000	
Locally Available from Printers . . . . .	6.15
Freezer depository slips	
Per 6000	
Locally Available from Printers . . . . .	6.15

## FORMALDEHYDE

1 gal.	
13, 32, 34, 44, 59, 84, 85, 92, 96, 138, 166, 172 . . . . .	2.95-11.96
4 by 1 gal.	
32, 44, 59, 92, 138, 152 . . . . .	8.90-27.92
5 gal.	
13, 32, 44, 55, 85, 92, 138, 175 . . . . .	12.50-24.25
55 gal.	
32, 59, 66 . . . . .	67.20-123.50

## FREEZERS

31 cu. ft. upright freezer; 72 by 35 by 32 in.; lock and key; safety signal light; manual defrost	
104, 141 . . . . .	440.00-460.00
Freezers of numerous kinds and sizes with various features	
Locally Available . . . . .	350.00-500.00

**FOLDING TABLES, SEE TABLES**

**FUMIGANTS**

BioQuip 1196A Fumigator; sealed foil lined envelope containing 0.33 g, 2,2 dichlorovinyl dimethyl phosphate (DDVP); fumigant activated by perforation of envelope

Per doz.

22 . . . . . 3.75

Vapona Fumigant Strip; contains DDVP resins extrude in plastic; measures 2 1/2 by 9 3/4 in.; each strip cut to appropriate sizes, will fumigate 12 drawers

Each

22 . . . . . 2.25

Per doz.

22 . . . . . 22.50

Stauffer F.I.A. 80-20 Grain Fumigant; 80% carbon tetrachloride, 20% carbon disulfide

5 gal.

31, 43, 155 . . . . . 20.65

55 gal.

31, 43, 155 . . . . . 210.65

Dowfume 75; 30% carbon tetrachloride, 70% ethylene dichloride

5 gal.

31, 52 . . . . . 19.25

54 gal.

31, 52 . . . . . 194.40

**FUR STRETCHERS**

Fur stretcher; frames and clips of steel construction and plated; adjustable to proper hide width; several sizes

Per 6

17, 30, 33, 63, 64, 69, 116, 140, 145, 150, 151, 162, 174 . . . . 3.97-12.00

Per 12

17, 30, 33, 63, 64, 69, 116, 140, 145, 150, 151, 162, 174 . . . . 7.37-22.97

Basswood stretchers; high quality solid finished basswood

each

151 . . . . . 0.55-3.95

**GAS MASKS**

Canister type gas mask, full vision face piece

3 . . . . . NA

Air purifying face shield gas mask; chin type; USDA approved for protection against acid gases, organic vapors, including pesticides and toxic particulates, complete with GMP canister

60 . . . . . 63.91

GMP replacement canister for above

60 . . . . . 9.13

BMD replacement canister for protection against ammonia	
60 . . . . .	7.43
<b>GENITALIA VIALS (INSECT)</b>	
1132 series genitalia vials; polyethylene vials 5/8 in. long with inside diameter of 3/16 in.; supplied with cork stoppers	
Per 100	
22 . . . . .	2.75
Per 1000	
22 . . . . .	25.00
<b>GIEMSA STAIN</b>	
10 g.	
13, 32, 59, 85, 96, 152 . . . . .	18.90-21.60
25 g.	
13, 85, 96, 152 . . . . .	42.50-47.05
<b>GLYCERINE</b>	
1 gal.	
32, 34, 84, 138, 152, 154, 172 . . . . .	14.90-44.00
5 gal.	
13, 44, 59, 92, 138 . . . . .	58.40-80.25
55 gal.	
59 . . . . .	444.60
<b>GOPHER TRAPS</b>	
MacAbee gopher trap	
1 doz.	
90 . . . . .	20.00
6 doz.	
90 . . . . .	80.00
1 gross	
90 . . . . .	140.00
MacAbee gopher trap-long jaw	
1 doz.	
90 . . . . .	22.00
6 doz.	
90 . . . . .	88.00
1 gross	
90 . . . . .	154.00
Victor gopher trap; 6 in. in length; jaw spread of 2 3/16 in.	
Each	
7, 28, 104 . . . . .	1.75-1.95
Case of 36 (each)	
182 . . . . .	1.35
Oneida Newhouse gopher trap; length 6 in.; diameter of ring 2 3/4 in.	
182 . . . . .	.NA



No. 44 California gopher trap	
Case of 12	
182 . . . . .	24.00
Live pocket gopher trap (see, Baker, R. J., and S. L. Williams. 1972. A new trap for pocket gophers, J. Wildlife Mgmt., 26:1320-1322)	
14 . . . . .	8.50
Sherman live pocket gopher trap; 3 1/2 by 3 1/2 by 11 1/2 in.; made of 28 ga. galvanized iron treadle construction	
Per trap	
146 . . . . .	7.50
Herter Hudson Bay pocket gopher trap	
Each	
69 . . . . .	1.39
Per 6	
69 . . . . .	7.74
Per 12	
69 . . . . .	14.37
Death-klutch gopher trap	
Each	
116, 174 . . . . .	1.10-1.25
Per 12	
116, 174 . . . . .	12.00-13.00

#### GUNS AND AMMUNITION

.410 gauge shotgun; 2 1/2 and 3 in. shells; single barrel or double barrel	
Locally Available . . . . .	50.00-555.00
20 gauge shotgun; 2 3/4 and 3 in. magnum shells; single or double barrel; single shot or automatic	
Locally Available . . . . .	56.00-555.00
16 gauge shotgun; as above	
Locally Available . . . . .	56.00-555.00
12 gauge shotgun; as above	
Locally Available . . . . .	56.00-555.00
.22 caliber rifle over .410 gauge shotgun; single shot	
Locally Available . . . . .	80.00-100.00
.22 caliber rifle over 20 gauge shotgun; single shot	
Locally Available . . . . .	80.00-100.00
Ammunition for the above. Also locally available	
57, 131, 181 . . . . .	Various

#### SEE ALSO RELOADERS AND RELOADING SUPPLIES

#### HEAD LIGHTS

Head lantern; plastic nylon band with neophrene sponge forehead pad; 2 1/2 in. anodized aluminum head unit, galvanized steel battery case; 4 ft. cable; spare bulb and holder in lamp housing; operates on 4 D cell batteries

22 . . . . .	9.95
Similar to above but with polypropylene battery case	
60, 130 . . . . .	10.15
Kwik-lite headlight with dual switch; beam adjustable from dim to bright; wide elastic band; die-cast reflector; uses 6-volt lantern battery, with battery pouch	
17, 28 . . . . .	5.98-6.50
Sportsman's headlight; light adjusts to any angle; long lead cord, battery case, waterproof, lightweight; uses 3 D cell batteries	
17, 63, 112 . . . . .	4.25-7.95
Carbide head lamp; lightweight head piece, reflector jewel burner tip; 4-foot rubber hose; heavy duty generator	
17, 60, 130, 150 . . . . .	14.95-20.10
Numerous other types	
Locally Available . . . . .	4.00-7.00

#### HEMATOXYLIN

25 g.	
13, 32, 44, 55, 59, 84, 85, 96, 172, 175 . . . . .	7.65-22.30
100 g.	
13, 32, 44, 85, 96 . . . . .	26.15-70.00

#### HEMOSTATS

Straight stainless steel hemostatic forceps	
6 1/4 in.	
38, 59, 85, 179 . . . . .	7.00-13.00
7 1/2 in.	
59, 85, 179 . . . . .	9.00-16.80
10 1/2 in.	
179 . . . . .	13.00-17.00
Kelly straight stainless steel hemostatic forceps	
5 1/2 in.	
59, 85, 139, 152 . . . . .	4.65-5.40

#### HOT PLATES

Thermolyne hot plate, type 1900; cast aluminum top; thermostatic control; stainless steel case; max. operating temp. 700 degrees F; top plate dimensions 6 1/4 by 6 1/4 in.	
32, 34, 41, 44, 59, 139, 161, 172, 175 . . . . .	35.75-44.00
Thermolyne Micro hot plate type 2300; 3 1/2 in. diameter top plate of cast aluminum; 3 3/4 in. high; maximum operating temp. 700 degrees F; temp. control	
32, 34, 41, 44, 59, 139, 161, 166, 172, 175 . . . . .	26.00-32.50
Thermolyne Nucerite hot plate, type 11400; corrosion resistant Nucerite top plate; 6 1/2 in. diameter; thermostatic control; maximum operating temp. 700 degrees F	
41, 44, 59, 139, 161, 166, 172, 175 . . . . .	44.50-58.00
Corning hot plate, model PC-35; top plate Pyrocera ceramic surface, 7 by 5 in.; temp. control, max. operating temp. 950 degrees F	
32, 34, 44, 59, 84, 139, 152, 166, 172, 175 . . . . .	39.50-52.50

Numerous other types

Locally Available . . . . . 10.00-40.00

### HYDROMETERS, ALCOHOL

Hydrometer, alcohol; proof and Tralle (%) scales, graduated in 2% and 1% intervals; calibrated at 60 degrees F; 305 mm (12 in.) in length

32, 44, 59, 138, 139, 172 . . . . . 2.96-4.00

Tralle and proof thermohydrometer; hydrometer body contains 10 to 100 degrees F thermometer with temp. compensation scales; 380 mm

32, 59, 138, 172 . . . . . 6.00-8.00

### ICE CHESTS, SEE COOLERS

### ILLUMINATORS

Bausch and Lomb Nicholas Illuminator; provides intense spotlight effect, corrected condenser pinpoints light; an adjustable jackknife linkage, removable from base

19, 32, 34, 59, 84, 138, 139, 166, 172, 175 . . . . . 47.00-59.50

B & L fluorescent illuminator; provides cool diffused light; suited for observation of surface details at low magnification; can be used as substage illuminator

19, 32, 34, 59, 84, 138, 139, 172 . . . . . 53.00-67.50

Nikon S. M. Illuminator; versatile light source; used for oblique or on-axis surface illumination, or for reflected/transmitted illumination; condenser system for optimum brightness; step transformer; brightness control device; lamp supported by adjustable arm

51, 114 . . . . . 84.00

Wild fluorescent ringlight; double-coiled of 3 1/2 in. diameter; semi-enclosed in a reflector housing and fed from a choke transformer; brightness over 4 in. diameter is 1500 lumens; cat. no. 736 50P

143, 172, 180 . . . . . 162.00

Wild low voltage lamp, with step transformer 6V/15W lamp; lamp carrier, spare bulb

143, 172, 180 . . . . . 197.10

Zeiss diffuse-light illuminator with choke; fluorescent tubes have high light output and low power consumption; life of tubes rated at 4000 hours; easily moved arm of double links; daylight and white light bulbs available; with power supply for 110V

49, 143, 172, 183 . . . . . 159.30

Zeiss low voltage illuminator; for reflected and transmitted light; lamp holder, housing with collector, bulbs, and transformer (3.5-5.5-8V)

49, 143, 172, 183 . . . . . 222.80

AO Starlite illuminator; prefocused two-lens condensing system; detachable universal arm; 6.5V, 2.75 amp lamp, variable base-transformer

32, 34, 84, 138, 139, 152, 172, 175 . . . . . 45.00-57.50

### INK

Higgins Eternal Ink

1 1/4 oz. bottle

27, 160 . . . . . 0.40-0.50

16 oz. bottle	
27, 160 . . . . .	2.25-3.50
Pelikan waterproof drawing ink	
1 oz. bottle	
27, 160 . . . . .	0.75
8 oz. bottle	
25, 27, 160 . . . . .	4.60
Rapidograph waterproof drawing ink	
1 oz. bottle	
25, 27, 81, 160 . . . . .	0.75-0.90

All inks are usually available locally.

### ISOPROPYL ALCOHOL

4 by 1 gal.	
32, 152 . . . . .	8.95-15.50
5 gal.	
13, 32, 44, 92, 96, 172, 175 . . . . .	9.00-39.20
55 gal.	
47, 59, 66, 117, 154 . . . . .	77.00-143.50

### JARS, SEE SPECIMEN JARS

### JERRY CANS

Nalgene Jerricans; linear polyethylene; polypropylene closures; integral spout long enough for accurate pouring; graduations in liters and gallons; leakproof closures

1 1/2 gal.	
41, 44, 106, 138, 139, 172 . . . . .	5.03-5.53
6 by 1 1/2 gal. (case)	
41, 44, 106, 139 . . . . .	29.86
2 1/2 gal.	
41, 44, 106, 138, 139, 172 . . . . .	6.53-7.18
6 by 2 1/2 gal. (case)	
41, 44, 106, 139 . . . . .	38.77
5 gal.	
41, 44, 106, 138, 139 . . . . .	9.98-10.98
4 by 5 gal. (case)	
41, 44, 106, 139 . . . . .	39.53

Jerry Jugs; light weight all purpose container; ethylene plastics; self contained pour spout

1 gal.	
41, 60 . . . . .	2.08-3.25
2 1/2 gal.	
41, 60, 130 . . . . .	3.02-7.50
5 gal.	
41, 60, 130 . . . . .	4.90-9.05

Bel-Art linear polyethylene jerry jugs; graduated in half gal. and gal.; in red or white

1 gal.	
20, 152 . . . . .	4.25
2 1/2 gal.	
20, 152 . . . . .	5.25
5 gal.	
20, 152 . . . . .	8.15
Bel-Art polyethylene jerry jugs with faucet; unbreakable and non-corrosive; faucet can be replaced with screw plug furnished; top and bottom handle and air vent; in red and white	
1 gal.	
20, 152, 175 . . . . .	11.50-12.00
2 1/2 gal.	
20, 152, 175 . . . . .	13.00-14.00
5 gal.	
20, 152, 175 . . . . .	17.50-21.00
5% discount on case order.	

A variety of jerry cans are usually locally available.

**KILL TRAPS, SEE CONIBEAR TRAPS**

**LABEL HOLDERS**

Brainerd Card and Label Holders; item No. 737; brass cardholder; overall size, 7/8 by 2 3/4 in.; for cards 3/4 by 2 3/4 in.; 0.020 in. brass	
26 . . . . .	.NA
Item No. 732; brass cardholder; overall size, 3 1/16 by 5 in.; for 3 by 5 cards; 0.012 in. brass	
26 . . . . .	.NA
Item No. 748 brass cardholder; overall size, 1 1/2 by 3 1/8 in.; for cards 1 1/8 by 2 1/2 in.; 0.030 in. brass with polished brass finish; packed 30 per box	
Each	
26 . . . . .	0.60
Item No. 743 brass cardholder; overall size, 1 1/4 by 3 in.; for cards 1 by 2 5/8 in.; 0.020 in. brass; packed 60 per box	
Each	
26 . . . . .	0.27
Other sizes available.	
Steel label holders with Anochrome finish; overall size, 2 5/8 by 1 7/17 in.; for cards 2 by 1 in.; packed 100 per box	
80 . . . . .	.NA
Same as above; overall size 3 1/2 by 1 3/4 in.; for cards 2 15/16 by 1 1/2 in.; packed 100 per box	
80 . . . . .	.NA
Steel fixture label holders; for specimen case drawers	
157 . . . . .	.NA

**LABELS**

Skeletal box labels; No. 20 Gilbert Bond, 25% rag; 1 15/16 by 1 1/8 in.; per 1000	
Locally Available from Printers . . . . .	18.90

Alcoholic specimen jar labels; white, No. 36 Resistall Ledger, 100% rag; 5 1/2 by 3 3/4 in.; per 1000	
Locally Available from Printers . . . . .	14.15
Same as above; 5 by 2 1/2 in.; per 1000	
Locally Available from Printers . . . . .	17.85
Alcoholic specimen tags; 2 ply Resistall Index 100% rag; 5/16 by 1 13/16 in.; per 8000	
Locally Available from Printers . . . . .	24.45
Package label; for shipping specimens; ungummed; per 2000	
Locally Available from Printers . . . . .	6.15

### LABORATORY AEROSOL

Laboratory aerosol 10%; water-clear mobile liquid containing Aerosol OT (di octyl sodium sulfosuccinate); reduces surface tension and interfacial tension	
1 pt.	
59 . . . . .	4.04
1 gal.	
59 . . . . .	19.38
4 by 1 gal.	
59 . . . . .	50.52

### LADDERS, LABORATORY

Safety-step lab-ladders; all steel construction, rust resistant coating, ball bearing casters; rubber tipped legs engage with floor when in use	
Two step lab ladder	
41 . . . . .	39.48
Three step lab ladder	
36, 41, 44, 172 . . . . .	46.00-54.00
Four step lab ladder	
41 . . . . .	69.44
Safety step ladder; similar to three step ladder above but with rubber matting surface on steps and platform	
59 . . . . .	51.75

### LETTERING SETS

Para-tipe pressure lettering; 10 by 14 in. sheets	
25, 123 . . . . .	1.75
Chartpak velvet touch transfer lettering; 8 1/4 by 11 1/4 in. sheets	
25, 160 . . . . .	1.50
Letraset instant dry transfer lettering; 10 by 15 in. sheets	
27, 160 . . . . .	2.50
Formatt adhesive lettering sheets; 10 by 14 in. sheets	
160 . . . . .	1.25
Adletter compact dry transfer sheets; 4 by 10 in. sheets	
6 . . . . .	0.69

Markit dry transfer lettering; four sizes 1/8 to 1/2 in. letters; 27 3 by 6 in. pages 107 . . . . .	5.95
Artist-aid transfer lettering; 9 by 12 in. sheets 86 . . . . .	2.00
Leroy lettering set; set includes pens, scribes, and templates; case provided has space for complete set of 11 templates and 11 pens but only 3 templates, three standard pens, two reservoir pens, scribe, and holder; numbers, capital, and lower case letters. Larger sets available 60 . . . . .	63.00
Rapidograph controlled lettering system; set with scribe, guide holder, drawing point section holder, ink cartridge, point sections 00, 1, and 3, and guides 100 (0.100 in. letter ht.), 140 (0.140 in. ht.) and 240 (0.240 in. ht.); each guide makes capitals, lower case, figures, and punctuation marks. Larger sets available 27, 60 . . . . .	63.00
Unitech lettering set; three sizes of upper and lower case letters on template; includes scribe, pens, and cartridge 25 . . . . .	30.00
Wrico lettering guides; 21 sizes in vertical Gothic letter style; per set (one size) 27 . . . . .	3.00-4.50
Wrico standard lettering pen, for use with above templates; 7 line widths 27 . . . . .	3.50
Rapidoguide lettering guide; for use with rapidograph and acetograph pens; high quality lettering guides with strong rails, to fit different rapidograph and acetograph point sizes; each has upper and lower letters, numerals, and characters Letter ht., 5/64; point size, 00 60 . . . . .	4.50
Letter ht., 1/8; point size, 00 60 . . . . .	4.25
Letter ht., 5/32; point size, 0 60 . . . . .	4.00
Letter ht., 3/16; point size, 1 60 . . . . .	4.50
Letter ht., 1/4; point size, 2 60 . . . . .	5.00
Letter ht., 9/32; point size, 2 1/2 60 . . . . .	5.75
Letter ht., 5/16; point size, 3 60 . . . . .	7.00
Letter ht., 3/8; point size, 4 60 . . . . .	8.25
Lettering guide set; six transparent plastic lettering guides, each with complete upper case alphabet, numbers, and common signs and symbols; sizes 1/8, 1/4, 5/16, 3/8, and 1/2 in.; for use with sharp pencil or ink; each character undercut to prevent ink smearing; set of six 25, 175 . . . . .	6.00-7.80

**LIGHT TABLES**

Porta-trace portable light table; shatterproof plexiglass top gives maximum light diffusion; rust-resistant stainless steel frame; flush top permits use with drawing larger than unit; warm surface dries ink rapidly yet fluorescent lighting prevents over-heating; rubber feet prevent slipping; 9 foot electric cord; lamps are 15, 20, or 30 watt white fluorescent.

Overall size, 11 by 18 3/8 by 2 1/8 in.; lamps, 2, 15 W	
60, 81	57.50-69.75
Overall size, 16 by 18 3/8 by 2 1/8 in.; lamps, 4, 15 W*	
60, 81	81.75-99.50
Overall size, 18 by 24 3/8 by 2 3/4 in.; lamps, 3, 20 W*	
60, 81	89.50-109.75
Overall size, 18 by 24 3/8 by 2 3/4 in.; lamps, 4, 20 W*	
60, 81	99.50-123.50
Overall size, 23 7/8 by 34 3/8 by 2 3/4 in.; lamps, 3, 30 W*	
60, 81	135.50-164.50
Overall size, 23 7/8 by 34 3/8 by 2 3/4 in.; lamps, 4, 30 W*	
60, 81	145.50-172.50
Overall size, 36 3/8 by 48 by 4 1/4 in.; lamps, 4, 30 W*	
60, 81	274.50-324.50

\* Unit has two switches

Tracing table, hardwood construction; adjustable tilting top, 36 by 48 in.; plate glass drawing surface, 24 by 36 in.; ht. 37 in.; 2, 30 watt fluorescent tubes provide light

25, 67	210.00-302.00
--------	---------------

Steel construction tracing table; adjustable tilt top; fluorescent lighting; enamel finish

Tracing area, 20 by 25 in.	
25, 27	176.00-197.00
Tracing area, 24 by 36 in.	
25, 27	202.00-224.00
Tracing area, 36 by 48 in.	
25, 27	430.00-494.00

Portable light box; 16 by 20 in. glass surface; steel construction; three way switch for three 15 watt fluorescent tubes

25	57.50
----	-------

**LINE SCREEN, SHADING TRANSFER SHEETS**

Zip-a-tone

Line screens; 16 3/4 by 21 3/4 in.	
25, 123	2.50
Coordinated dot screens, 9 by 12 in.	
123	0.85
Coordinated dot screens, 10 by 14 in.	
25, 123	1.00



Chartpak shading film	
9 by 12 in. sheets	
25, 160 . . . . .	1.00
Letratone shading film	
10 by 15 in. sheets	
27, 160 . . . . .	1.25
Formatt shading adhesive sheets	
10 by 14 in. sheets	
160 . . . . .	1.25
Artist-aid line screens	
9 by 12 in. sheets	
86 . . . . .	2.00

**LINSEED OIL**

For treatment of snap traps	
Per gal.	
Locally available from paint stores . . . . .	10.00-13.00

**LIVE TRAPS**

Tomahawk Live Traps (Nationals); collapsible live traps, can be folded or set up in seconds; constructed of galvanized wire fabric with heavy steel rod reinforcement where needed; automatic locking device for door(s); for suppliers, see numbers 109 and 164 (model no. followed by size in inches, construction, shipping weight in pounds, per unit price based on orders of one to five, and per unit price based on orders of six or more follow:)

201	5 x 5 16	1/2 x 1	16 ga.	3	7.09	6.41
202	6 x 6 x 19	1 x 1	14 ga.	4	7.09	6.41
203	6 x 6 x 24	1 x 1	14 ga.	5	9.08	8.19
204	7 x 7 x 20	1 x 1	14 ga.	6	9.14	8.24
205	9 x 9 x 26	1 x 1	14 ga.	8	12.60	11.34
206	9 x 9 x 32	1 x 1	14 ga.	11	15.17	13.65
207	10 x 12 x 32	1 x 2	14 ga.	13	20.42	18.38
208	15 x 15 x 42	1 x 2	14 ga.	45	34.60	31.13
209.5	15 x 20 x 42	1 x 2	14 ga.	32	37.54	33.76

Tomahawk non-collapsible live traps; rigid construction of same materials; mesh size and gauge matches 200 series for like trap sizes; for suppliers, see numbers 109 and 164 (model no. followed by size in inches, shipping weight in pounds, per unit price based on orders of one to five, and per unit price based on orders of six or more follow:)

102	5 x 5 x 16	3	6.04	5.46
103	6 x 6 x 19	4	6.04	5.46
104	6 x 6 x 24	4	7.77	6.98
105	7 x 7 x 20	4	7.82	7.04
106	9 x 9 x 26	7	10.97	9.87

107	9 x 9 x 32	9	12.86	11.55
108	10 x 12 x 32	12	16.75	15.07
109	15 x 15 x 42	42	31.76	28.61
109.5	15 x 20 x 42	32	36.96	33.29
110A	20 x 26 x 48	60	57.17	51.45
110B	20 x 26 x 60	65	59.48	53.55
110C	20 x 26 x 72	70	61.79	55.65

Of the above traps, model Nos. 104, 107, 109, 203, 206, and 208 have double doors; the remainder have single doors

Bailey aluminum live beaver trap; trap sets entirely under water; no parts to assemble can be set up in a few seconds; 21 by 39 in. closed and 43 by 39 in. open; "clam shell" shape and action; 32 lbs. shpg. wt.

1 to 5				
109, 164				90.75
6 or more				
109, 164				81.68

Tomahawk sheet metal mouse trap; single door; non-collapsible; trap measuring 3 by 3 by 10 in.; constructed of 28 ga. galvanized sheet metal; 2 lbs.; Mod. No. 101

1 to 5				
109, 164				4.73
6 or more				
109, 164				4.15

Havahart animal traps; rigid, non-collapsible, live traps of galvanized steel and wire mesh; can be set with doors open at one or both ends; 33 1/3% discount to universities on 6 or more traps with the exception of trap model No. 8 from distributor No. 7. (model no., size in inches, weight in pounds, per unit price followed by numbers of suppliers.)

0	10 x 3 x 3	2	4.10-5.00
	7, 17, 22, 60, 112, 116, 140, 150, 151, 152, 166, 174		
1	18 x 5 x 5	4	6.60-8.50
	7, 17, 22, 60, 63, 112, 116, 140, 150, 151, 152, 166, 174		
2	24 x 7 x 7	7	9.20-12.00
	7, 17, 22, 60, 63, 69, 112, 116, 140, 150, 151, 152, 166, 174		
2A	30 x 7 x 7	8	12.10-16.00
	7, 22, 60, 63, 112, 151, 152, 166, 174		
3	36 x 11 x 11	20	20.50-26.00
	7, 17, 22, 60, 63, 69, 112, 116, 140, 150, 151, 152, 166, 174		
3A	42 x 11 x 13	22	25.00-33.00
	7, 22, 60, 112, 151, 152, 166, 174		
4	42 x 7 x 7	13	25.00
	7, 22, 112, 152, 166		
6	30 x 9 x 9	12	22.00
	7, 22, 112, 152, 166, 174		
7*	55 x 12 x 12	29	35.95-52.00
	7, 17, 22, 60, 63, 112, 116, 140, 150, 151, 152, 166, 174		

8\*\*            70 x 30 x 30            78            95.00  
 7, 22, 112, 152, 166

\*Special trap with live bait compartment.

\*\*Telescoping trap for dogs and coyotes.

Victor Tender trap; trap of galvanized sheet steel and wire mesh; can be disassembled and stored flat; fold-up doors with spring-tension hinges open entire enclosure to larger animals. (model no., size in inches, weight/carton, no./shipping carton, per unit price followed by numbers of suppliers.)

0745	16 x 6 x 6	20	6	6.98-7.57
	17, 30, 60, 118, 150, 151, 175, 182			
0750*	23 x 8 x 8 1/4	42	6	8.99-15.25
	17, 30, 60, 118, 150, 151, 175, 182			
0755*	29 1/2 x 12 x 12	40	3	18.99-30.95
	17, 30, 60, 118, 150, 151, 175, 182			
0756	29 1/2 x 12 x 12	40	3	19.15-20.77
	30, 60, 118, 150, 175, 182			
0757	40 x 12 x 12	18	1	22.98
	60, 118, 151, 175, 182			

\*Two door set.

Full line carried only by No. 182.

Sullivan Sure-catch live traps; galvanized steel mesh construction; non-collapsible; single entrance

24 by 8 by 8 in.	
158 . . . . .	16.95
16 by 6 by 6 in.	
158 . . . . .	12.95
32 by 8 by 10 in.	
158 . . . . .	21.95
36 by 10 by 12 in.	
158 . . . . .	28.95
44 by 14 by 14 in.	
158 . . . . .	32.95
48 by 16 by 20 in.	
158 . . . . .	39.95
72 by 26 by 26 in. (w/live bait compartment).	
158 . . . . .	88.95
60 by 16 by 20 in. (w/ live bait compartment).	
158 . . . . .	62.95

Longworth live traps

Per trap	
88 . . . . .	5.00-9.00

Mustang Live-catch traps; non-collapsible, one set live traps of galvanized sheet metal and wire mesh

No. MS-2; 5 by 6 by 15 in.	
105 . . . . .	6.55
No. MS-3; 7 by 9 by 24 in.	
105 . . . . .	9.50
No. MS-4; 11 by 13 by 36 in.	
105 . . . . .	15.50
No. MS-5; 24 by 26 by 60 in. (telescoping trap for dogs and coyotes)	
105 . . . . .	39.85
No. MS-6; 7 by 7 by 42 in.	
105 . . . . .	12.95
Mustang turtle trap; collapsible live-catch turtle trap with two entrances; made of galvanized steel mesh; collapses to 1 in. high for storage; repeated catches possible	
No. MS-E	
105 . . . . .	12.55
Nylon net turtle traps; trap of three steel hoops and nylon mesh; folds flat	
112, 118 . . . . .	9.95-19.08
Havahart turtle trap; galvanized wire mesh; 36 by 18 by 9 in.; 20 lbs.	
7 . . . . .	32.00
Holdzem Colony muskrat trap; wire mesh trap capable of catching several muskrats at once, 5 1/2 by 5 1/2 by 28 in.	
17, 150, 151 . . . . .	3.95-4.95

**FOR OTHER LIVE TRAPS SEE SHERMAN TRAPS; BIRD TRAPS**

**MAGNIFIERS**

Dazor floating arm magnifiers with 3-tube fluorescent lighting; optically correct magnification; 5 in. double convex lens of high quality crown optical glass with 13 in. focal length; power of three diopters; three 6W tubes are positioned to furnish incidental light; Universal Model\*

34 in. arm	
46, 59 . . . . .	61.45-74.75
24 in. arm	
27, 46, 152, 175 . . . . .	63.90-69.75
18 in. arm (desk model)	
27, 46, 152, 175 . . . . .	72.00-77.75

Dazor floating magnifier with circline fluorescent lighting; 32W circular fluorescent tube surrounds lens providing even illumination on all sides of object being viewed; same lens as above; Universal Model\*

34 in. arm	
46, 59 . . . . .	60.10-71.75
24 in. arm	
46, 59, 152 . . . . .	58.90-66.75
18 in. arm (desk model)	
46, 59, 152 . . . . .	66.90-74.75

\*Universal Models have base that may be clamped or screwed to any surface—horizontal, vertical, or sloping

Dazor-add-a-lens; accessory lens that increases magnification by 50%; for circline models  
 46, 152, 175 . . . . . 10.75  
 33 1/3% discount to universities on all units from distributor number 46.

Luxo illuminated magnifiers; 22W circline fluorescent tube surrounds 5 in., 3 diopter, precision ground lens; mounts anywhere  
 41, 139 . . . . . 65.00

Luxo illuminated magnifier,; as above but with 5 diopter bi-convex lens 5 in. in diameter, plus 10 diopter, plano-convex achromatic lens, 1 1/2 in. in diameter mounted in a swing away arm  
 41 . . . . . 95.00

Magniflex fluorescent magnifier; 22W circline fluorescent tube; 5 in. lens with 13 in. focal length; 33 in. arm; fastens to table  
 25 . . . . . 50.00

Same as above but with weighted base and 26 in. arm  
 25 . . . . . 55.00

**MALLORY CONNECTIVE TISSUE STAIN**

Fuchsin Acid solution No. 1  
 4 oz.  
 152 . . . . . 2.00

16 oz.  
 92, 152 . . . . . 4.80

Aniline Blue Orange G solution No. 2  
 4 oz.  
 152 . . . . . 2.00

16 oz.  
 92, 152 . . . . . 6.25

**MAPS**

United States Quadrangle Maps; U.S. Geologic Survey maps in scales of 1:24,000, 1:31,580, 1:48,000, 1:62,500, 1:63,360, and 1:125,000; usual quadrangle dimensions are 7.5 by 7.5 minutes, 30 by 30 minutes, and 1 by 1, 2, or 3 degrees  
 168, 169 . . . . . 0.75

United States Series of Topographic Maps; U.S. Geologic Survey maps in scales of 1:24,000, 1:62,500, 1:63,360, 1:125,000, and 1:250,000; sheet size is 34 by 22 in.  
 168, 169 . . . . . 1.00

30% discount on both quadrangle and topographic maps on orders of \$300 or more.

Carta General De La Republica Mexicana, Edicion 1958; quadrangle maps of Mexico, scale of 1:500,000  
 Complete set of 47 maps  
 142 . . . . . 80.00

Separate quadrangles  
 142 . . . . . 2.00

Topographic maps of Mexico; scale of 1:50,000, cover 15 minutes of latitude by 60 minutes of longitude; details and ordering information in "Indice de Hojas de Carta Topografica," per sheet  
 42 . . . . . 0.40

Topographic maps of Canada  
 93 . . . . . NA

Hispanic America Maps; land areas and off shore water south of the United States; relief expressed by contours and layer tints; first edition 1922-1945; scale, 1:1,000,000; area covered by each map 4 degrees latitude by 6 degrees longitude; 107 sheets  
 Each  
 9 . . . . . 3.00

**MAP CASES**

Steel Fixture map case-model MP; inside dimensions of drawers, 40 by 2 5/8 by 25 3/8 in.; five drawer stackable section; gray or olive green  
 157 . . . . . 194.00

Top plate  
 157 . . . . . 14.00

Base  
 157 . . . . . 19.75

Steel Fixture map case-model USGS; inside dimensions of drawers, 43 1/2 by 32 2/8 by 2 5/8 in.; five drawer stackable section; gray or olive green  
 157 . . . . . 229.00

Top plate  
 157 . . . . . 15.75

Base  
 157 . . . . . 19.50

Steel Fixture map case-model MP-36; inside dimensions of drawers, 65 by 25 3/8 by 4 in.; three drawer stackable section; gray or olive green  
 157 . . . . . 381.00

Top Plate  
 157 . . . . . 16.50

Base  
 157 . . . . . 22.50

Lane map and drawing cabinet-No. 3040; inside dimensions of drawers, 37 by 2 1/4 by 25 in.; outside cabinet dimensions, 40 3/8 by 15 3/4 by 28 3/8 in.; includes finished top; prices include freight charges; five drawer stackable unit  
 83 . . . . . 216.00-236.00

Base  
 83 . . . . . 30.00-33.00

Lane map and drawing cabinet-No. 3046; inside dimensions of drawers, 43 by 2 1/4 by 32 in.; outside cabinet dimensions, 46 3/8 by 15 3/4 by 35 3/8 in.; five drawer stackable unit; includes finished top; price includes freight charges  
 83 . . . . . 294.00-314.00

Base	
83 . . . . .	36.00-39.00
Lane map and drawing cabinet-No. 3053; inside dimensions of drawers, 50 by 2 1/4 by 38 in.; outside cabinet dimensions, 53 3/8 by 15 3/4 by 41 3/8 in.; five drawer stackable unit; includes finished top; price includes freight charges	
83 . . . . .	318.00-338.00
Base	
83 . . . . .	44.00-48.00
Map and chart cabinets; heavy gauge furniture steel; five drawer stackable units; available in steel gray, desert sand, or mist green; inside and outside dimensions matching those of Lane No. 3040 above except drawer ht. is 2 1/8 in.	
Without lock	
175 . . . . .	179.75
With lock	
175 . . . . .	200.85
Base	
175 . . . . .	26.50
As above but dimensions matching those of Lane No. 3046 above, except drawer ht. is 2 1/8 in.	
Without lock	
175 . . . . .	240.40
With Lock	
175 . . . . .	261.15
Base	
175 . . . . .	33.00
As above but dimensions matching those of Lane No. 3053 above except drawer ht. is 2 1/8 in.	
Without lock	
175 . . . . .	269.90
With lock	
175 . . . . .	291.00
Base	
175 . . . . .	39.75
Hamilton five-drawer steel drawing files; double stop device on drawers; ball bearing rollers; drawer ht. is 2 in.; flat caps and flush bases available	
For 24 by 36 in. sheets	
67 . . . . .	239.00
For 30 by 42 in. sheets	
67 . . . . .	280.00
For 36 by 48 in. sheets	
67 . . . . .	337.00
Hamilton three-drawer steel drawing files; same as above but drawer ht. is 3 3/4 in.	
For 30 by 42 in. sheets	
67 . . . . .	269.00
For 36 by 48 in. sheets	
67 . . . . .	325.00

Hamilton wood filing units; oak construction with paneled sides; drawer bottoms are made of welded fiber board; each drawer has 4 in. hood

Five drawer unit; 24 by 36 in. sheets	
67 . . . . .	194.00
Five drawer unit; 30 by 42 in. sheets	
67 . . . . .	222.00
Five drawer unit; 36 by 48 in. sheets	
67 . . . . .	328.00
Three drawer unit; 30 by 42 in. sheets	
67 . . . . .	202.00
Mayline metal plan files, steel construction; unit includes two 5-drawer units, cap, and flush base; drawers have hinged covers	
For 24 by 36 in. sheets	
25, 160 . . . . .	330.00
For 30 by 42 in. sheets	
25, 160 . . . . .	370.00
For 36 by 48 in. sheets	
25, 160 . . . . .	460.00

**METRIC TAPE MEASURES**

Metric pocket measuring tape; bonderized tempered steel with lacquer coated white finish; black markings, bottom edge reading mm, top in 5 mm and 10 mm; 13 mm wide; case 50 mm across; metric markings only

2 meter	
84 . . . . .	2.56
3 meter	
84 . . . . .	3.04

Metric/English pocket measuring tapes; various styles, cases, and lengths; all have both metric and fractional inch markings

32, 34, 38, 59, 60, 84, 85, 100, 104, 107, 139, 166, 172, 179 . . .	1.85-5.50
---	-----------

**MICROELITE TYPEWRITERS**

Olivetti 405 with Mikron type; electric; 16 characters/in.; two type styles	
Locally Available . . . . .	595.00
Olympia SG3L; manual typewriter with 13 in. carriage; Diamond No. 3 type style, 17 characters/in.	
Locally Available . . . . .	337.00
Olympia 50 FR; electric typewriter with 13 in. carriage; Diamond No. 3 type style, 17 characters/in.	
Locally Available . . . . .	630.00
Royal 970-13; electric typewriter with 13 in. carriage; two type styles available; 17 characters/in.-Contemporary Gothic, 7 line/vertical in.; bank style, 6 lines/vertical in.	
Locally Available . . . . .	660.00
Royal 970-19; same as above but with 19 in. carriage	
Locally Available . . . . .	725.00



Adler U 390; manual typewriter, 13 in. carriage; type style condensed elite, diamond gothic, 17 characters/in.

Locally Available . . . . . 340.00

Adler electric typewriter; 13 in. carriage, type style condensed elite, 17 characters/in.

Locally Available . . . . . 640.00

Adler J2; portable manual typewriter, type style condensed small elite, 17 characters/in.

Locally Available . . . . . 155.00

**MICROSCOPES, SEE STEREO MICROSCOPES**

**MICROSCOPE SLIDES, SEE SLIDES**

**MIST NETS AND POLES**

Four shelf nets of 50 denier/2 ply, 1 1/2 in. black Terylene mesh

7 by 18 feet	
22 . . . . .	10.25
7 by 30 feet	
22 . . . . .	13.50
7 by 42 feet	
22 . . . . .	17.75
7 by 60 feet	
22 . . . . .	22.25

Bleitz mist net; nets of several sizes, meshes, and many available in dark green and sand colors as well as black.(For supplier, see number 24)

	7 x 18 ft.	7 x 30 ft.	7 x 42 ft.	7 x 60 ft.	10 x 60 ft.
75d/2 ply 1 1/2 in. mesh; Terylene constr.	7.50	10.75	14.00	---	---
110d/2 ply 2 3/8 in. mesh; nylon constr.	3.25	4.50	5.00	8.00	---
210d/2 ply 4 in. mesh; nylon constr.	3.75	4.75	6.50	8.50	15.00
75d/2 ply 1 1/4 in. mesh; Terylene constr.	9.00	12.50	---	---	---
	3 x 42 ft.	10 x 42 ft.	10 x 60 ft.	20 x 100 ft.	
50d/2 ply 1 1/2 in. mesh; Terylene constr.	7.50	22.50	32.50	60.00	
50d/2 ply 1 1/4 in. mesh; Terylene constr.	7.50	---	35.00	---	
50d/2 ply 1 1/2 in. mesh; nylon constr.	---	9.50	18.00	---	
50d/2 ply 1/4 in. mesh; nylon constr.	6.50	---	19.25	---	
30d/2 ply 1 1/4 in. mesh; nylon constr.	---	---	---	50.00	

Mist net poles; 5/8 in. diameter aluminum poles in 4 1/2 ft. sections to make 9 ft. high poles; one set, 2 top and 2 bottom sections

24 . . . . . 30.00

Poles may also be readily made from materials such as aluminum conduit usually locally available.

Japanese mist nets

Black, 70d nylon; 1 1/2 in. mesh nets with four pockets; 9 by 2 m.

45 . . . . . 5.50

Black, 110d nylon; 2 3/8 in. mesh nets with four pockets; 2 by 12 1/2 m.

45 . . . . . 7.50

Black, 210d nylon; 3 15/16 in. mesh nets with two pockets; 2.7 by 18 m.

45 . . . . . 13.00

EBBA Japanese mist nets; all nets approx. 7 ft. high. (See number 54 for supplier.)

	5 m	9 m	12 m
Reg. nylon nets, 50d/2 ply 1 1/4 in. mesh			
3.19*/3.54	---		5.94*/6.60
Same, but 1 1/2 in. mesh, 70d			
2.48*/2.76	---		4.10*/4.56
Same, but 1 1/2 in. mesh, 110d			
---	---		6.37*/7.08
Same, but 5 in. mesh, 210d			
---	---		4.10*/4.56
Nylon tethered top nets; 1 1/4 in. mesh			
---	5.18*/5.76		6.53*/7.26
Same, but 1 1/2 in. mesh			
---	3.73*/4.14		4.64*/5.16
Polyester tethered top nets; 1 1/4 in. mesh			
---	7.24*/8.16		9.67*/10.74
Same, but 1 1/2 in. mesh			
---	5.94*/6.60		8.00*/8.88

\*Sustaining member of the Eastern Bird Banding Association.

NEBBA mist nets; imported from Japan; all nets are nylon mesh. (See number 102 for supplier.)

	12 x 2.6 m	6 x 2.4 m	6 x 2.6 m
70d, 36 mm mesh			
7.95/9.10*	---		4.50/5.10
70d, 30 mm mesh			
9.00/10.25	---		4.85/5.55
75d, 36 mm mesh			
8.70/9.95	---		---
70d, 24 mm mesh			
9.65/11.05	5.70/6.50		---
210d, 121 mm mesh			
7.90/9.05	---		---
110d, 61 mm mesh			
7.80/8.90	---		---

## \*NEBBA member price/non-member price

## Nylon fowling nets, black 4-shelved

70d, 1 in. mesh, 2 by 9 m.

176 . . . . . 7.50

70d, 1 1/2 in. mesh, 2 by 9 m.

176 . . . . . 6.00

70d, 1 1/2 in. mesh, 2 by 12 1/2 m.

176 . . . . . 7.00

110d, 2 1/2 in. mesh, 2 by 9 m.

176 . . . . . 8.00

110d, 2 1/2 in. mesh, 2 by 12 1/2 m.

176 . . . . . 9.00

110d, 2 1/2 in. mesh, 2.6 by 12 1/2 m.

176 . . . . . 9.50

210d, 3 15/16 in. mesh, 2.7 by 18 m.

176 . . . . . 18.00

Sectional steel poles; 1/2 in. by 5 ft.; set of four

176 . . . . . 7.00

**MOLE TRAPS**

Victor mole trap; sensitive spear type trap with six prong spears; rust resistant coated steel; length sprung, 16 3/4 in.; wt. 1 lb. 4 oz.

Each

7, 112, 175 . . . . . 4.75-8.00

Three

112 . . . . . 11.95

Each/case of six

182 . . . . . 3.52

**MUSEUM SPECIALS**

Museum snap traps; packed 50 traps per shipping carton; price includes shipping costs; per trap

182 . . . . . 1.00

**NAPHTHA (WHITE GAS)**

For use in degreasing skins

Per gal.

Locally Available . . . . . 1.25-1.90

**NAPHTHALENE**

Flakes

1 lb.

22, 32, 34, 84, 166, 175 . . . . . 0.85-5.30

5 lbs.

22, 84, 166 . . . . . 4.00-9.38

**Cones**

Doz.

22 . . . . . 1.25

Gross

22 . . . . . 12.50

**NEEDLES, SEWING**

For preparation of study skins; package of 24

Locally Available . . . . . 0.40-1.00

**PACKING MATERIAL**

Pelaspac-Pac strands; polystyrene strands in two sizes, granulation S size is approximately 1/8 in. in diameter and 3 in. long; granulation M size strands are 1/4 in. in diameter and 5 in. long

52 . . . . . NA

A variety of other packing materials are available locally.

**PANS, SEE TRAYS, DISSECTING****PANTOGRAPH**

Hardwood pantograph; bars 22 1/2 in.; for reducing and enlarging drawings in 15 ratios from 2:1 to 16:1 or vice versa

60 . . . . . 21.00

All metal precision pantograph; for enlarging, reducing, and reproducing; length 21 in.; 21 ratios from 1 1/8 to 8; ratio thumb screws and nuts

60 . . . . . 21.25

Maple wood pantograph; enlarges and reduces 1 1/2 to 10 times; 25 ratios; 21 in. bars

25 . . . . . 4.40-4.75

Aluminum pantograph; 31 in. bars; 32 ratios

25, 27 . . . . . 18.90

**PARADICHLOROBENZENE (PDB)**

Fused blocks 1 1/4 by 1 1/4 by 1/2 in.

Per doz.

166 . . . . . 2.75

Per 100

166 . . . . . 13.50

Crystals

5 lbs.

22, 59, 84, 175 . . . . . 4.35-18.75

5 kg.

13, 44, 55, 92, 96 . . . . . 8.75-12.75

25 lbs.

59, 84 . . . . . 21.50-28.00

250 lbs.

59 . . . . . 157.00

**PARAFILM**

Moisture resistant, self-sealing thermoplastic film; for leakproof seal within lids of alcoholic specimen jars

20 in. wide role; 25 ft. long	
32, 41, 44, 94, 139, 172 . . . . .	4.50-5.70
4 in. wide roll; 125 ft. long	
41, 44, 59, 94, 139, 172 . . . . .	4.50-5.70

**PARA-TIPE, SEE LETTERING SETS****PEDOMETERS**

25 mile pedometer; graduated in 1/4 miles; case is nickel-plated; hook to hang pedometer on belt or boot top

18, 60 . . . . .	10.00-12.70
------------------	-------------

Metric pedometer; reads to 10 kilometers with graduations of 1/10 km; adjusting screw permits length of step setting from 55 to 85 cm

60 . . . . .	17.50
--------------	-------

Pedometer; similar to 25 mile pedometer above, but registers up to 100 miles

107, 175 . . . . .	9.15-12.50
--------------------	------------

Digital pedometer; calibrated in miles and tenths, registers to 99.9 miles

60 . . . . .	14.50
--------------	-------

**PENS**

Koh-i-noor Rapidograph drawing pens; point sizes from 5 by 0 to 9; individual pens

25, 27, 60, 160 . . . . .	8.00-12.00
---------------------------	------------

Rapidograph drawing point sections with holder; individual units

25, 27, 60, 160 . . . . .	5.25-10.00
---------------------------	------------

Sets of drawing point sections in humidified revolving selector; complete set with 12 interchangeable drawing point sections

25, 27, 60, 160 . . . . .	56.00-66.00
---------------------------	-------------

Usually also locally available

Pelikan Technos pen

Without point

27 . . . . .	6.00
--------------	------

Points for the above (14 sizes)

27 . . . . .	0.90
--------------	------

Faber-Castell 990 technical pen; uses cartridges; 6 point sizes

160 . . . . .	7.00-9.00
---------------	-----------

Cartridges for the above, with Higgins Eternal Ink; pack of six

160 . . . . .	0.90
---------------	------

Mars technical pen; 11 point sizes

160 . . . . .	6.00-10.00
---------------	------------

Leroy reservoir pen; for controlled lettering and line drawing; 14 point sizes from 4 by 0 to 14

60 . . . . .	6.70-8.70
--------------	-----------

**PINS**

For pinning out of mammal and bird study skins; glass headed boutonier pins; available from florist shops; carton of four boxes of 250

Locally available . . . . .	10.00
Dissecting or taxidermy pins; nickel-plated brass 1 1/4 in.; regular heads	
Per 100	
22, 175 . . . . .	0.85
1/2 lb.	
22, 84, 152 . . . . .	1.25-3.00
1 lb.	
22, 69, 152 . . . . .	1.70-5.50
Same as above but 2 in.	
Per 1/2 lb.	
152 . . . . .	1.35
1 lb.	
69, 152 . . . . .	1.70-2.55
Dissecting pins; stainless steel 1 1/4 in.; in box of 1150 pins (1/4 lb.); regular heads	
166 . . . . .	3.45
T-Pins; nickel-plated brass, rustproof; T handle head makes it easier to insert pin firmly	
1 3/4 in., box of 100	
166 . . . . .	0.90
2 in. box of 100	
69, 166 . . . . .	0.90-1.00
1 3/4 in., 1/2 lb. (800/lb.)	
32, 152 . . . . .	2.20-2.80
1 lb.	
32, 152 . . . . .	4.20-5.35
2 in. 1/2 lb. (730/lb.)	
32, 152 . . . . .	2.30-2.90
1 lb.	
32, 152 . . . . .	4.30-5.55

**PLASTIC BAGS**

Poly bags, all sizes, weights, and styles	
12 . . . . .	Various
Heavy duty polyethylene specimen bags; 5 sizes 3 by 5 to 9 by 16 in.	
Per 180	
85 . . . . .	3.45-11.50
Polyethylene collecting bags, per 100	
6 by 12 in.	
166 . . . . .	3.50
10 by 18 in.	
166 . . . . .	5.00

16 by 22 in.	
166 . . . . .	8.00
Polyethylene plastic sample bags; 4 mil polyethylene; 10 by 18 in.	
100	
60 . . . . .	4.50
1000	
60 . . . . .	39.50
Polyethylene plastic bags	
8 by 20 in.; per doz.	
32 . . . . .	1.95
8 by 20 in.; per 50	
32 . . . . .	5.77
12 by 24 in.; per doz.	
32 . . . . .	3.57
12 by 24 in.; per 50	
32 . . . . .	10.64
18 by 36 in.; per doz.	
32 . . . . .	5.91
18 by 36 in.; per 50	
32 . . . . .	17.74
18 by 42 in.; per doz.	
32 . . . . .	8.28
18 by 42 in.; per 50	
32 . . . . .	24.84
24 by 48 in.; per doz.	
32 . . . . .	11.10
24 by 48 in.; per 50	
32 . . . . .	33.26
Polyethylene bags; 4 mil; 10 sizes, 3 by 7 to 20 by 40 in.	
Per doz.	
152 . . . . .	0.60-3.95
Per 100	
152 . . . . .	2.95-28.75
As above, but lighter gauge; 5 sizes, 5 by 10 to 12 by 20 in.	
Per doz.	
152 . . . . .	0.39-0.75
Per 100	
152 . . . . .	2.35-4.50
Polysaks; 1 mil polyethylene bags; 50, 11 by 13 in. bags in perforated roll form; supplied with 50 wire ties	
175 . . . . .	0.70
Specimen bags; 2 mil polyethylene bags; 5 sizes, 6 by 12 to 12 by 30 in.	
Per doz.	
175 . . . . .	0.75-4.50

Per 100	
175	2.75-16.50
Polyethylene bags, 4 mil; per 100	
9 by 6 in.	
59	3.65
12 by 8 in.	
59	4.90
15 by 10 in.	
59	6.60
Polyethylene bags; .0025 in. and .003 in. polyethylene; per 500	
5 by 9 in.	
41	12.38
6 by 9 in.	
41	12.25
6 by 18 in.	
41	26.50
8 by 10 in.	
41	20.13
ZipLip poly bags; 2 and 3 mil polyethylene resealable zipper top; 3 by 5 to 9 by 12 in.; 250 per pkg.	
41	14.10-35.50
Polyethylene bags; 39 sizes from 4 by 6 to 22 by 28 in.; package of 100	
.0015 in. thick	
81	1.80-8.76
.004 in. thick	
81	2.76-17.82

**POCKET GOPHER TRAPS, SEE GOPHER TRAPS**

**POTASSIUM HYDROXIDE**

Pellets	
1 lb.	
13, 32, 34, 44, 59, 85, 92, 96, 103, 152, 166, 175	2.34-5.52
5 lbs.	
13, 32, 34, 44, 59, 85, 92, 96, 103, 152, 166, 175	8.35-19.50
10 lbs.	
13, 34, 44, 85, 92, 96, 152	11.11-17.50

**POWER GENERATOR**

Zeus portable AC electric plants; 1500 W, 115 V, power from 4 cycle air cooled gasoline engine; 5 horse power engine, 2 qt. gasoline tank, uses 1 1/2 qts./hr. under full load; unit is 18 1/2 by 15 by 17 1/2 in.; wt. 105 lbs.	
60	290.00
Portable alternator; 1250 W, two 115 V outlets; three horsepower engine, 3 qt. fuel tank; full tank lasts 2 1/2 hours under full load; unit is 17 by 16 1/2 by 14 in.; wt. 81 lbs.	
104, 141	284.95



Portable alternator; 1100 W, 115 V, built in battery charger provides 5 to 8 amps., 3 horsepower engine, one 115 V outlet and one 12 VDC outlet; 2 qt. gas tank; unit is 19 by 16 1/2 by 17 in.; 67 lbs.

104, 141 . . . . . 200.00-295.00

McCulloch portable generator; Model H-1500 power output to 1275 W continuous; three horsepower engine

97, 163 . . . . . .NA

### POWER CONVERTER

Solid state power inverter; converts 12 v DC current to AC; capacity 175 W continuous 200 W intermittent; unit is 6 by 6 by 10 3/4 in.; 10 1/2 lbs.

22 . . . . . 73.50

Powerverter; 500 W inverter/10 amp battery charger; overload indicator light; 115 V outlets

104, 165 . . . . . 139.00

### PREDATOR CALLS

Close range and long range predator calls made of unbreakable tenite, also in wood; replacement reeds available

17, 28, 63, 69, 116, 140, 150, 151, 174 . . . . . 2.00-4.10

Battery powered caller; cassette recorder, operates on 4 "C" batteries; 11 by 6 by 3 in.; 6 lbs. Other cassette units available

28, 140 . . . . . 37.95-49.95

Caller cassettes; for use with above machine; various calls 1/2 hour on each side of tape

17, 28, 140 . . . . . 3.95-5.95

Four speed record caller; portable phonograph powered by 12 flashlight batteries, with detachable 25 W speaker and 25 ft. connecting cord; drab green color; volume control selector; comes with three calling records; wt. 18 lbs. 5 oz.

17, 28, 63 . . . . . 100.00-119.95

Similar to above, but with non-detachable speaker

17, 63 . . . . . 64.95

Records for above, various calls

17, 28, 63 . . . . . 2.50

Amplifier; 15 W mobile amplifier for use on any caller, distortion free, long range; solid state circuit; powered by 12 "D" batteries; 10 lbs.

28 . . . . . 69.95

### PROBES

Aids in preparation of small skulls; chrome plated steel probe with octagonal handle; curved tennaculum with inside edge sharpened for cutting on one end, other end sharp tapered point; 150 mm

Each

38, 44, 59, 152, 166, 175 . . . . . 1.30-1.54

Doz.

38, 44, 59, 152, 166, 175 . . . . . 14.40-16.20

Dissecting needle; wood handle with attached needle; overall length 143 mm

Straight needle; doz.  
 34, 38, 44, 59, 84, 85, 139, 152, 166, 175 . . . . . 0.68-1.35

Curved end; doz.  
 34, 38, 44, 59, 84, 85, 139, 152, 166, 175 . . . . . 0.72-1.47

Spear needle; steel spear needle with fine point and sharp edges; wooden handle; 5 1/2 in.  
 166 . . . . . 1.66

**RAT TRAPS**

Victor rat trap; kiln dried, clear grained non-warping wood blocks, extended coppered steel wire bows; 4-way release metal bait pedal; 6 15/16 by 3 7/16 by 9/16 in.; shpg. wt./doz. 4 1/2 lbs.; per doz.  
 182 . . . . . 4.60

Holdfast rat traps; same as above but with wood bait pedal; sensitive release (museum special type release); per doz.  
 182 . . . . . 5.45

**REFRIGERATORS**

A number of models suitable for specimen storage are on the market  
 Locally Available . . . . . 200.00-500.00

**RELOADING EQUIPMENT AND SUPPLIES**

MEC 600 Jr. shotgun shell reloader; shell holder positions and holds shell at each station, no transfer die required; camactuated reconditioning station with positive ejecting features; wad feed device with vertical adjustment; crimp starter with swivel action; shpg. wt. 17 lbs.; available in 10, 12, 16, 20, 28, and .410 gauges  
 28, 63, 69, 95 . . . . . 51.97-64.87

MEC Versamec 700 shotgun shell reloader; same as above but with platform cam providing longer ejection stroke, adjustments or part changes not required regardless of brass length, device that programs charge bar and wad guide; same gauges as above; 17 lbs. shpg. wt.  
 28, 63, 69, 95 . . . . . 60.50-74.37

MEC 650 shotgun shell reloader; up to 12 operations on 6 individual shells performed simultaneously with one stroke of press handle; star crimp head, automatic primer feeding; re-size deprime apparatus, toggle linkage, cam operated crimping die and autocycle charging; sequence handles 3 in. shells; all steel construction; 20 lbs. shpg. wt.; same gauges as above  
 28, 95 . . . . . 111.52-128.87

Herter's Professional Model 990 shotgun reloading tool; loads all plastic and paper cases, push bar type reloader, has one charge bar, one shot and one powder insert, crimp starters; specify 12, 16, or 20 gauge; conversion kits for other gauges available  
 69 . . . . . 54.95

Herter's low-cost shotgun shell reloading kit; three action chamber for decapping, wad seating, and crimping; primer decapping tool; wad ramming tool; primer

seating tool; shot measure adjustable from 7/8 oz. to 1 7/8 oz.; storage tray and box

69 . . . . . 10.67

Herter's Professional Model 72 shotgun reloading tool; will load plastic, paper, or metal cases; tool frame of S.A.E. approved semi-alloyed steel, three types of crimp starters, adjustable cylinders for powder and shot; specify for 12, 16, or 20 gauge; conversion units for changing gauges available

69 . . . . . 69.97

Lee loader for shot shells; permits reloading shells anywhere; for 12, 16, 20, 28, and .410 gauge shells

28, 63 . . . . . 7.27-9.95

Various reloaders and/or reloading supplies

63, 69, 181 . . . . . Various

Many types also locally available.

**RINGERS SOLUTION**

Amphibian

1 pt.

32, 34, 59, 84, 152 . . . . . 1.68-3.25

1 qt.

32, 34, 59, 84 . . . . . 2.64-4.50

5 pt.

34 . . . . . 9.25

1 gal.

59, 152 . . . . . 6.24-12.50

Mammal

1 pt.

32, 59, 152 . . . . . 1.75-2.24

1 qt.

59, 103 . . . . . 3.52-4.30

5 pt.

34 . . . . . 9.25

1 gal.

59, 152 . . . . . 8.32-12.50

**RUBBER RAFTS**

Two man raft; rubberized nylon construction

18, 69, 104, 130, 141 . . . . . 48.00-100.00

Four man raft; rubberized nylon construction

104, 130 . . . . . 100.00-595.00

Two man raft; nylon and/or double thickness PVC plastic

60, 141 . . . . . 39.95-115.00

Four man raft; same construction as above

60, 141 . . . . . 74.95-170.00

Similar rafts may be obtained locally.

**SAWDUST**

Graded sawdust; packed 60 to 75 lbs./bag; samples on request; price/bag	
113 . . . . .	10.86
Mill-run hardwood sawdust; ungraded; packed in paper bags, 50 lbs. each (Item 10300)	
5 bags/each	
101 . . . . .	4.40
10 bags/each	
101 . . . . .	3.80
20 bags/each	
101 . . . . .	2.50
Same as above; packed in non-returnable burlap; item 10400; 40-55 lbs. each	
5 bags/each	
101 . . . . .	4.40
10 bags/each	
101 . . . . .	3.80
20 bags/each	
101 . . . . .	2.50
Cob Dri; a graded absorbent material made from ground dehydrated corn cobs; packed in paper bags, wt. 50 lbs.; samples on request	
Cob Dri No. 3; 5 bags/each	
101 . . . . .	5.10
Cob Dri No. 4; 10 bags/each	
101 . . . . .	4.80
Cob Dri No. 4; 20 bags/each	
101 . . . . .	3.70

**SCALES, METRIC**

Pesola Scales; high quality spring balances graduated in grams; if specimen is placed in lightweight bag, scale can be adjusted for tare and wt. read directly from scale; clip at bottom of scale for suspending object to be weighed	
Capacity, 50 g; divisions, 1/2 g; length, 250 mm	
24 . . . . .	16.50
Capacity, 5 g; divisions, 1/4 g; length, 195 mm	
24 . . . . .	12.50
Capacity, 10 g; divisions, 1/2 g; length, 195 mm	
24 . . . . .	12.50
Capacity, 30 g; divisions, 1 g; length, 165 mm	
24 . . . . .	10.00
Capacity, 100 g; divisions, 2 g; length, 165 mm	
24 . . . . .	10.00
Capacity, 300 g; divisions, 2 g; length, 245 mm	
24 . . . . .	15.50
Capacity, 100 g/3 1/2 oz.; divisions, 2 g; length, 110 mm	
24 . . . . .	12.50

Capacity, 2500 g; divisions, 50 g; length, 185 mm	
24 . . . . .	12.50
Capacity, 100 g; divisions, 1 g; length, 250 mm	
24 . . . . .	15.50
Capacity, 500 g; divisions, 5 g; length, 250 mm	
24 . . . . .	15.50
Capacity, 1000 g; divisions, 10 g; length, 250 mm	
24 . . . . .	15.50
Capacity, 30 kg; divisions, 1 kg; length, 225 mm	
24 . . . . .	22.00
Capacity, 50 kg; divisions, 1 kg; length, 310 mm	
24 . . . . .	35.00
Heavy duty spring balance; adjustment screw for wt. compensation when pan or bag is attached to hook; 3 1/4 by 2 1/2 by 19 in.; wt. 5 1/2 lbs.; capacity 90 kg by 1 kg.	
60 . . . . .	17.00
Instrument scales; double scale graduated in avoirdupois and metric; knob for tare and zero adjustment; about 12 in. long	
2 kg by 50 g/4 lbs. by 1 oz.	
60 . . . . .	15.75
3 kg by 25 g/6 lbs. by 1 oz.	
60 . . . . .	25.00
5 kg by 100 g/10 lbs. by 4 oz.	
60 . . . . .	15.75
All purpose portable scale; high impact polystyrene case, plated metal parts; accurate to 1% of scale capacity; double scale; 9 1/2 by 1 1/2 by 7/8 in.; wt. 4 oz.	
680 g by 10 g/24 oz. by 5 oz.	
60 . . . . .	6.00
1030 g by 20 g/36 oz. by .5 oz.	
60 . . . . .	6.00
2025 g by 25 g/72 oz. by 1.0 oz.	
60 . . . . .	6.00
11.2 kg by 200 g/25 lbs. by 8 oz.	
60 . . . . .	5.00

**SEE ALSO BALANCES****SCALPELS**

Stainless steel surgical handle for several styles of replaceable blades

Per handle

32, 38, 71, 81, 84, 85, 103, 139, 152, 166, 172, 175, 179 . . . . . 1.75-3.13

Per doz. handles

32, 38, 84, 85, 175 . . . . . 17.50-30.24

Per doz. blades

32, 38, 71, 81, 84, 85, 103, 139, 152, 166, 172, 175, 179 . . . . . 1.95-2.50

Screwlock scalpel; safety lock screw holds blade securely, blades replaceable	
Per scalpel	
22, 32, 38, 59, 152 . . . . .	0.65-1.10
Per doz. scalpels	
22, 32, 38, 59, 152 . . . . .	6.60-12.00
Per doz. blades	
22, 32, 38, 59, 152 . . . . .	1.95-3.00
Stainless steel solid construction scalpel; 1 1/2 in. blade	
Per scalpel	
32, 34, 38, 44, 56, 59, 71, 124, 152, 171, 172 . . . . .	1.25-3.20
Per doz. scalpels	
32, 44, 152 . . . . .	12.50-32.00
Most distributors also carry a variety of other scalpels.	

### SCISSORS

Nickel-plated; 4 1/2 in.; one sharp point, one blunt	
Per pair	
32, 34, 38, 59, 84, 85, 124, 139, 147, 152, 166, 172, 175 . . . . .	2.22-7.25
Per doz.	
32, 38, 84, 85, 175 . . . . .	21.20-46.00
Nickel-plated; 4 1/2 in.; both points sharp	
Per pair	
32, 34, 38, 44, 56, 59, 84, 124, 138, 152, 166, 171, 172, 175 . . . . .	0.81-1.60
Per doz.	
32, 38, 84, 152, 175 . . . . .	7.75-12.00
Straight fine point dissecting scissors; nickel-plated; 4 1/2 in.	
Per pair	
22, 32, 38, 59, 84, 85, 103, 138, 152, 166, 172, 175 . . . . .	1.50-2.90
Per doz.	
32, 38, 84, 152, 175 . . . . .	21.25-29.00
Stainless steel operating scissors; 5 1/2 in.; one sharp, one blunt, both blunt, or both sharp points.	
32, 38, 77, 179 . . . . .	2.00-5.00
As above but 6 1/2 in.	
38, 139 . . . . .	6.60
Mayo scissors; stainless steel; 6 1/4 in.	
38, 179 . . . . .	6.00-8.00
Mayo scissors; stainless steel; 9 in.	
179 . . . . .	8.00-10.00
U.S. army scissors; stainless steel; 8 in.	
179 . . . . .	5.00-7.00

### SCRAPERS

P3 Scraper; for fleshing small animals	
11 . . . . .	2.25

P4 Scraper; for fleshing larger animals	
11 . . . . .	2.95
Fleshing tool; two cutting edges; riveted handle; 9 1/2 in. length	
33, 64, 145, 150, 151, 174 . . . . .	2.25-2.95
Fleshing tool; similar to above but with four cutting edges; 8 in. length; blade 2 by 3 in.	
17, 30, 116, 140, 162 . . . . .	2.75-3.25
Combination tool; teeth on one end for breaking up heavy flesh; sharp blade on other end for smooth shaving action	
TL-14 3 in. blades; medium/large skins	
171 . . . . .	5.45
TS-14 1 1/2 in. blades; small birds and mammals	
171 . . . . .	3.95
Specialty scraper; designed for hard to get at places; rounded blade on one end; pointed blade on opposite side	
77, 171 . . . . .	2.45
Bone scraper; all steel instrument used for scraping skulls and other bones; 6 in. long; also good for scraping fat	
56 . . . . .	1.25
Fat scraper; hand made from steel; 6 1/2 in. spoon shaped tool with toothed edge	
56 . . . . .	1.30

#### SEALANT, ADHESIVE

ROYAL Industrial Adhesive M6273; clear translucent adhesive for sealing jars containing fluid-preserved specimens	
12 qt./case per qt.	
167 . . . . .	2.27
6 gal./case per gal.	
167 . . . . .	7.73

#### SEINES

Knotted nylon minnow seines; 1/4 to 2 in. mesh; 4, 6, and 8 ft. deep; with top and bottom lines, floats, and leads; prices per linear foot	
112, 118 . . . . .	0.51-4.45
Same as above, but woven nylon	
112, 118 . . . . .	0.67-4.03
Common Sense minnow seines; popular inexpensive woven brown cotton seine; 1/8 in. mesh; with floats, weights, and tie lines; size 4 by 4 ft. to 4 by 50 ft.	
32*, 112, 118, 166 . . . . .	1.44-17.70
* 4 by 4 ft. and 4 by 20 ft. only	
Professional cotton collecting seines; made to exacting specifications; 4 by 10 ft. to 6 by 30 ft. sizes	
166 . . . . .	16.21-64.89
Knotted 1/4 in. mesh nylon seines; 4 by 15 ft. with leads and floats	
166 . . . . .	28.28
Variety of seines are also usually locally available.	

**SHERMAN TRAPS**

Folding traps; small; 2 by 2 1/2 by 6 1/2 in. when set; fold to 1/2 in. thick; of .020 aluminum or 40 lb. tin	
146 . . . . .	3.50
Folding traps; large; 3 by 3 1/2 by 9 in. when set; fold to 1/2 in. thick; of .020 aluminum	
146 . . . . .	4.00
Same as above but of 40 lb. tin	
146 . . . . .	4.50
Non-folding traps; about the same size as small folding trap; aluminum or tin	
146 . . . . .	2.50
Non-folding traps; about the same size as large folding traps; .020 aluminum	
146 . . . . .	3.80
Non-folding traps; large, of 40 lb. tin	
146 . . . . .	4.20
Large non-folding trap of 28 ga. galvanized iron; 12 in. long	
146 . . . . .	5.00
Non-folding trap; 3 by 3 by 10 in.; of .025 aluminum or of 28 ga. galvanized iron	
146 . . . . .	4.20
Non-folding trap; 5 by 5 by 15 in., made of 28 ga. galvanized iron	
146 . . . . .	7.50
A discount of 10% is allowed on orders of 10 or more traps of the same kind to addresses within the United States.	

**SKELETAL BOXES**

Special order boxes for storage of skulls and skeletal material; see Appendix A for description and specifications; prices per 1000

MB11	
8, 70, 87, 136, 177 . . . . .	151.00-661.60
MB12	
8, 70, 87, 136, 177 . . . . .	183.22-664.60
MB13	
8, 70, 87, 136, 177 . . . . .	291.24-786.80
MB14	
8, 70, 87, 136, 177 . . . . .	360.48-881.90
MB15	
8, 70, 87, 136, 177 . . . . .	1062.68-2200.00
MB16	
8, 87, 136, 177 . . . . .	242.20-659.70
Skeletal boxes as above but of .036 board covered with dark green flint paper; per 1000	
MB11	
53 . . . . .	222.00
MB12	
53 . . . . .	271.00



**MB16**

53 . . . . .	211.00
Fiberglass tote pans; for storage of larger skeletal material; stackable; empty pans nest for storage; 16 sizes from 26 by 10 by 5 to 39 by 19 by 14 in.; 10 per carton	
36 . . . . .	.61.25-266.50
Dust proof lids for above; per 10	
36 . . . . .	.37.95-110.95

**SLIDE BOXES**

High impact styrene slide box; capacity 25	
32, 34, 38, 44, 59, 84, 85, 152, 166, 172 . . . . .	0.50-1.55
Plastic slide box; capacity 100; high impact polystyrene; hinged cover	
32, 34, 38, 44, 59, 84, 152, 166, 172 . . . . .	2.95-5.75
Wood slide box; capacity 100; with wood or aluminum slots	
32, 34, 38, 44, 59, 85, 138, 152, 172 . . . . .	5.00-7.60

**SLIDE CABINETS**

Microscope slide cabinet, 500 to 1000 slide capacity; oak cabinet measuring 8 1/2 by 12 1/2 by 10 1/2 in.; 25 removable numbered slide trays of aluminum, each holding 20 microscope slides---40 each if placed two deep; door disappears by raising up and sliding back into cabinet	
32, 44, 59, 138, 139, 152, 166, 172, 175 . . . . .	72.00-90.00
Slide cabinet for 1000 slides; oak cabinet, 22 1/2 by 13 1/2 by 9 in.; 50 aluminum trays, each holding 20 3 by 1 in. slides flat; trays numbered; drawer at bottom for card index; single hinged door	
138, 152, 166, 175 . . . . .	162.00-171.00
Like above but for 2000 slides; cabinet is 24 1/2 by 13 1/2 by 16 1/2 in.; 100 aluminum trays	
59, 138, 152, 166, 172, 175 . . . . .	278.00-312.00
Like above cabinets but for 3000 slides; cabinet measures 24 by 13 1/2 by 24 in.; 150 aluminum trays; double hinged doors	
59, 138, 152, 175 . . . . .	378.00-405.00
Micro slide cabinet; accomodates 1200 slides in 12 drawers; flat tray at bottom for 12 index cards; light stained wood, lock corner construction; 9 by 10 1/4 by 18 1/4 in.	
38, 172 . . . . .	134.00

**SLIDES**

3 by 5 microscope slides; in boxes of 1/2 gross	
32, 38, 44, 59, 84, 85, 138, 152, 166, 172, 179 . . . . .	1.95-3.80

**SNARES**

Klefflock snares; special rustproof cable, lightweight but strong; will not be affected by freezing and thawing or sprung by small animals	
No. 0; 6 ft. length	
28, 30, 150, 182 . . . . .	1.79

No. 2; 6 ft. length	
28, 30, 150, 182 . . . . .	2.25
No. 0; swivel snare	
28, 150, 182 . . . . .	1.75
No. 2; swivel snare	
28, 150, 182 . . . . .	1.95
Oneida Newhouse snare; made of flexible, kink-resisting willow wire with non-slip lock, deer guard, adjustable end tie	
No. 3; 8 ft. length	
182 . . . . .	.NA
Herter's Hudson Bay Never Miss snares; made of rust-proof steel snare wire, special lock slip through; two sizes; per doz.	
69 . . . . .	4.97-6.97
Herter's G.L.H. self-locking animal snare; light weight stainless steel cable loop with special positive slip lock fastened to a heavier weight piece of woven stainless steel cable wire, heavier wire can be bent to any shape for proper placement; two sizes; per doz.	
69 . . . . .	5.97-13.97
Herter's Hudson Bay spring snare; positive self-locking, constructed of high carbon activating spring with locking stainless steel snare cable; two sizes	
Per six	
69 . . . . .	5.95-7.80
Per doz.	
69 . . . . .	9.58-14.40
Thompson's self-locking steel snares; 13 sizes	
Each	
17, 33, 116, 140, 150, 151, 162, 174 . . . . .	0.58-6.60

### SPECIMEN BAGS

Cloth specimen bags in a variety of sizes; with or without tags or drawstrings	
12, 35, 73 . . . . .	Various

### SPECIMEN CASES

Steel Fixture vertebrate specimen cases; double wall construction composed of .0375, an inner frame work of .0625, and an inner shell of .0500 steel; cases can be stacked three or more high for vertical storage; lightweight lift off doors are constructed of 14 ga. aluminum with corners welded air-tight; doors equipped with two friction type steel sash locks at the top and are locked in place at bottom against channels welded to case

Model VA; 39 1/2 by 27 1/4 by 38 in.; 18 tray capacity; trays measure 24 by 36 by 1 5/8 in.; case only	
157 . . . . .	232.00
Model VA with cylinder cam lock	
157 . . . . .	243.00
Trays, wood; for Model VA case	
157 . . . . .	12.25

Trays, metal; for Model VA case	
157 . . . . .	11.50
Model VB; 39 1/2 by 54 9/16 by 38 in.; 10 tray capacity; trays measure 51 3/32 by 36 by 3 1/8 in.; case only	
157 . . . . .	430.00
Model VB with 2 cylinder cam locks	
157 . . . . .	453.00
Trays, wood; for Model VB case	
157 . . . . .	28.00
Model VA-C; 42 9/16 by 26 13/16 by 43 3/4 in.; 19 tray capacity; trays measure 24 by 41 by 1 5/8 in.; case only	
157 . . . . .	246.00
Model VA-C with cylinder cam lock	
157 . . . . .	257.00
Trays, wood; for Model VA-C case	
157 . . . . .	14.00
Trays, metal; for Model VA-C case	
157 . . . . .	12.50
Model V-PL; 7 3/4 by 46 3/4 by 28 in.; 44 tray capacity; trays measure 20 5/16 by 26 by 1 3/4 in.; case only	
157 . . . . .	370.00
Model V-PL with 2 cylinder cam locks	
157 . . . . .	392.00
Trays, wood; for Model V-PL case	
157 . . . . .	12.00
Trays, metal; for Model V-PL case	
157 . . . . .	11.50
Model ZO-201; with double hinged doors with locks; 42 1/16 by 46 1/2 by 28 1/32 in.; 18 tray maximum; trays measure 42 3/8 by 26 by 1 5/8 in.; case only	
157 . . . . .	330.00
Trays, metal; for Model ZO-201 case	
157 . . . . .	16.50
Model ZO-202; cabinet with center divider; double hinged doors with locks; same size as above; 36 tray maximum, trays measure 19 3/4 by 26 by 1 5/8 in.; case only	
157 . . . . .	380.00
Trays, metal; for Model ZO-202 case	
157 . . . . .	13.50
Padgett specimen case; similar to Model VA above, quarter case for mammals; wood frame with sheet metal covering with drawers; sponge rubber seal must be supplied when ordering	
122 . . . . .	180.00-210.00

Cases can also be made to any specifications.

Interior Steel Model 224 specimen case; all welded construction, 3 hinged doors, outside dimensions 72 7/8 by 28 5/8 by 47 3/4 in.; holds 66 trays; sponge rubber

- seal; 3 by 5 in. card holder; gray finish; wt. 410 lbs.; trays not included
- 74 . . . . . 439.00-594.00
- Trays for above cases; inside dimensions 20 1/16 by 24 5/16 by 1 1/2 in.; wt. 9 lbs.
- Per tray
- 74 . . . . . 7.40
- Cases can also be made to any specifications.
- Russ Basset specimen cabinets; all welded double-wall steel channel construction; 13 ga. lift off type hinge for doors; three point locking mechanism; insect proof closed cell Neoprene rubber sealant assures vermin proof air tight compartment; brushed chrome 3 by 5 in. label holder on doors
- Specimen cabinet; 30 by 28 by 39 in.; single door with slide up hinges; tray slots within; locking handle
- 16 . . . . . .NA
- Zoology skin cabinet; 46 1/2 by 28 1/32 by 42 1/16 in.; double doors; removable divider within
- 16 . . . . . .NA
- Vertebrate cabinet; 29 7/8 by 43 3/4 by 42 9/16 in.; removable door with sash locks
- 16 . . . . . .NA
- Museum Storage case; 22 by 56 by 60 in.; double doors with 2 point locking handles; 22 dividers
- 16 . . . . . .NA
- Lane zoological specimen cabinets; double wall steel cabinets with lift off door; outer and inner case are cold rolled furniture steel; paracentric key lock handle assembly; trays are 22 ga. aluminum with 1/4 in. utility bestboard bottoms
- Model 201; measures 28 1/32 by 46 1/2 by 42 1/16 in.
- 83 . . . . . 297.00-323.00
- Trays for Model 201; high rim; 26 by 42 3/8 by 3 1/2 in.
- 83 . . . . . 15.50-16.50
- Trays for Model 201; low rim; 26 by 42 3/8 by 1 5/8 in.
- 83 . . . . . 15.25-16.25
- Model 202; same as above but with center divider section; 36 tray capacity
- 83 . . . . . 343.00-371.00
- Trays for Model 202; 26 by 20 3/4 by 1 5/8 in.
- 83 . . . . . 12.75-13.75
- BioQuip vertebrate skin cabinet; wood frame with heavy ga. steel covering; hardwood runners; two counter rotating "T" handles with locks and keys; trays of white pine and 1/4 in. plywood bottoms, measures 26 3/4 by 43 7/8 by 42 3/4 in.; trays measure 24 by 42 by 1 7/8 in.
- Cabinet
- 22 . . . . . 200.00
- Trays
- 22 . . . . . 8.00
- BioQuip 4000 series vertebrate skin cabinets; dead air space in walls provides heat resistance; heavy ga. steel covering; hinged doors; locking handles; doors can be

removed; measures 46 1/2 by 28 by 42 in.; capacity of 10 high rim trays (43 1/8 by 26 by 3 5/8 in.) or 20 low rim trays (43 1/8 by 26 by 1 11/16 in.)

Cabinet	
22 . . . . .	250.00
High rim trays	
22 . . . . .	11.00
Low rim trays	
22 . . . . .	9.50

Same as above but with partition in middle allowing capacity of 40 trays measuring 21 1/16 by 26 by 1 11/16 in.

Cabinet	
22 . . . . .	295.00
Trays	
22 . . . . .	8.50

**SPECIMEN DRAWER DIVIDING TRAYS**

Special order unit trays made to fit Steel Fixture specimen case trays; for specifications, see Appendix B; prices per 1000 trays

Tray MT 21	
8, 70, 136, 177 . . . . .	52.58-157.50
Tray MT 22	
8, 70, 136, 177 . . . . .	72.74-166.20
Tray MT 23	
8, 70, 136, 177 . . . . .	138.00-260.10

Vertebrate unit trays, BioQuip; tray of 60 basis chipboard with stayed corners and covered with kraft paper; outside dimensions 7 3/8 by 13 3/8 by 3/4 in.; divides specimen drawer of BioQuip vertebrate skin cabinet into nine units

Each	
22 . . . . .	0.40
Per 100	
22 . . . . .	27.00

**SPECIMEN JARS**

Wheaton Specimen Bottles; Vitro 800, with glass cover, rubber gasket, and spring clamp

8 oz.; 65 by 78 mm; 12/case	
178 . . . . .	12.20
12 oz.; 65 by 122 mm; 12/case	
178 . . . . .	12.85

Wheaton Specimen Bottles; Vitro 800, with captive glass cover and gasket assembly held in place by a hinged spring clamp

500 ml; 110 by 110 mm; 36/case	
178 . . . . .	45.36
750 ml; 110 by 145 mm; 24/case	
178 . . . . .	36.07

1000 ml; 110 by 180 mm; 12/case	
178 . . . . .	20.41
1500 ml; 110 by 230 mm; 12/case	
178 . . . . .	25.27
2000 ml; 120 by 255 mm; 12/case	
178 . . . . .	30.02
3000 ml; 150 by 275 mm; 6/case	
178 . . . . .	21.65
Wide mouth jars; machine made of clear flint glass, bakelite screw cap with liner	
4 oz.; 53 by 82 mm; per doz.	
32, 59, 152, 166 . . . . .	2.15-3.30
8 oz.; 63 by 105 mm; per doz.	
32, 59, 152, 166 . . . . .	2.33-3.65
16 oz.; 75 by 132 mm; per doz.	
32, 59, 152, 166 . . . . .	3.15-4.70
32 oz.; 95 by 170 mm; per doz.	
32, 59, 166 . . . . .	4.67-5.77
64 oz.; per doz.	
32 . . . . .	10.86
The above also available with metal screw caps with liners from the same suppliers.	
Wide mouth specimen bottles; glass bottles with straight sides and with bakelite caps; tall form	
4 oz.; per doz.	
32, 152 . . . . .	2.59-3.17
8 oz.; per doz.	
32, 152 . . . . .	3.17-4.14
12 oz.; per doz.	
166 . . . . .	4.80
16 oz.; per doz.	
32, 152, 166 . . . . .	3.79-7.95
The above also available from Nos. 86 and 139, but bottles and caps sold separately.	
Same as above but short form	
4 oz.; per doz.	
21, 32, 139, 152, 166 . . . . .	2.68-3.55
8 oz.; per doz.	
21, 32, 139, 152, 166 . . . . .	3.05-4.75
16 oz.; per doz.	
21, 32, 139, 152, 166 . . . . .	4.59-6.27
32 oz.; per doz.	
21, 152 . . . . .	5.65-7.63
64 oz.*; per doz.	
21, 175 . . . . .	4.56
128 oz.*; per doz.	
175 . . . . .	8.04

\*Without caps.

Bottles and caps sold separately from Nos. 69 and 139.

Norge Preserving Jars; complete with glass lid, rubber ring, and metal screw-ring; several sizes

37 . . . . .NA

Glass canning jars; with captive glass lids and gaskets; several sizes

148 . . . . .NA

**SPECIMEN TANKS**

Steel Fixture specimen tanks; stainless steel, 20 ga.; lids of stainless steel, chemical resistant gasket of Buna-N synthetic rubber, gaskets can be replaced

Model FST; inside dimensions 18 by 15 by 15 in.

157 . . . . . 110.00

Model SST; inside dimensions 36 by 15 by 15 in.

157 . . . . . 175.00

Model CST; inside dimensions 29 by 24 by 23 in.

157 . . . . . 301.00

Dollies available for tanks.

Nalgene heavy duty rectangular tanks; linear polyethylene construction with covers included

7 gal.; 12 by 12 by 12 in.

41, 59, 106 . . . . . 25.20-27.22

11 gal.; 18 by 12 by 12 in.

41, 106 . . . . . 37.20-40.18

15 gal.; 18 by 12 by 18 in.

41, 59, 106 . . . . . 45.90-49.57

30 gal.; 24 by 18 by 18 in.

41, 106 . . . . . 64.90-70.09

60 gal.; 36 by 20 by 20 in.

41, 106 . . . . . 96.10-103.79

Also available in polypropylene and in other sizes from distributor No. 106.

Bel-Art heavy duty rectangular tanks; polyethylene construction with covers included

5 gal.; 11 by 11 by 10 in.

20, 152 . . . . . 21.00-23.50

7 1/2 gal.; 16 1/2 by 11 by 10 in.

20, 152 . . . . . 24.00-26.95

10 gal.; 18 by 13 by 10 in.

20, 152 . . . . . 27.00-29.95

15 gal.; 15 1/4 by 12 by 19 in.

20, 152 . . . . . 36.00-39.95

20 gal.; 21 by 16 by 14 in.

20, 152 . . . . . 52.00-72.50

Also available in polypropylene from distributor No. 20.

Nalgene cylindrical storage tanks; linear polyethylene construction; wall thickness

about 3/32 in.; covers included

5 gal.; outside dimensions, 11 by 14 in. 41, 59*, 84, 106, 172 . . . . .	13.50-28.19
7 1/2 gal.; outside dimensions, 12 7/8 by 17 3/4 in. 106 . . . . .	17.30
10 gal.; outside dimensions, 13 1/2 by 20 1/2 in. 41, 59*, 84, 106, 172 . . . . .	22.25-36.94
15 gal.; outside dimensions, 13 3/4 by 27 5/8 in. 41, 84, 106, 172 . . . . .	28.62-43.31
30 gal.; outside dimensions, 18 7/8 by 29 3/8 in. 41, 84, 106, 172 . . . . .	36.23-50.92
55 gal.; outside dimensions, 22 3/16 by 35 7/8 in. 41, 84, 106, 172 . . . . .	39.42-54.11

\*Covers sold separately.

Bel-Art Poly-crocks; heavy duty polyethylene containers with lid; 3/16 in. walls

3 gal.; top diam., 11 1/2 in.; bottom, 9 1/2 in.; ht., 11 in. 20 . . . . .	13.80
4 1/2 gal.; top diam., 12 1/2 in.; bottom, 10 1/2 in.; ht., 13 in. 20 . . . . .	18.60
6 gal.; top diam., 13 in.; bottom, 11 in.; ht., 16 in. 20, 152 . . . . .	22.95
7 1/2 gal.; top diam., 14 in.; bottom, 12 in.; ht., 17 in. 20 . . . . .	26.95
10 gal.; top diam., 15 1/2 in.; bottom, 13 1/2 in.; ht., 18 in. 20, 152 . . . . .	28.95
15 gal.; top diam., 17 in.; bottom, 15 in.; ht., 20 1/2 in. 20 . . . . .	33.95
20 gal.; top diam., 19 1/2 in.; bottom, 17 1/2 in.; ht., 22 in. 20, 152 . . . . .	38.50
25 gal.; top diam., 20 1/2 in.; bottom, 18 1/2 in.; ht., 23 1/2 in. 20 . . . . .	40.95
30 gal.; top diam., 20 1/4 in.; bottom, 18 1/4 in.; ht., 29 1/4 in. 20 . . . . .	43.95
55 gal.; top diam., 24 in.; bottom, 22 in.; ht., 32 in. 20, 152 . . . . .	56.95
100 gal.; top diam., 33 in.; bottom, 31 in.; ht., 35 in. 20, 152 . . . . .	185.95

#### SPOT LIGHTS

Convert-O Light; 200,000 candlepower spotlight; can switch from white to red light with filter attachment; 15 foot cord with cigarette lighter plug

28 . . . . . 24.50

Predator Callers spotlight; lightweight wooden handle; double switch for main light or low-level auxillary bulb; 15 ft. cord plugs into cigarette lighter or operates



directly off 12 volt battery; with red filter attachment	
28 . . . . .	19.98
Magna utility light; 200,000 candle power spotlight with handle and doughnut magnet attached to bottom; battery to dash plug in and 16 ft. cord with male plug plug	
60 . . . . .	32.95

**SPRAY BOTTLES**

Polypropylene hand sprayer, trigger type; 16 oz. bottle; if fitted with hypodermic needle bottle is useful for repetitive injection of alcoholic specimens

81 . . . . .	1.95
--------------	------

Also usually locally available.

**STEEL TRAPS**

Oneida Victor steel traps; standard, jump, coil spring, and delayed action game traps; in many sizes

Each	
17, 28, 30, 33, 60, 63, 64, 112, 116, 140, 145, 150, 151, 162, 174	1.25-9.95

Per doz.

17, 30, 33, 60, 63, 64, 112, 116, 140, 144, 145, 150, 151, 162, 174, 182 . . . . .	10.67-92.10
--	-------------

Oneida Newhouse steel traps; 5 1/2 to 16 in. jaw spread

Each	
17, 30, 118, 150, 182 . . . . .	20.50-331.60

Blake and Lamb game traps; long spring, under spring, and others in many sizes

Each	
17, 23, 28, 30, 64, 116, 140, 150, 151, 162, 174 . . . . .	1.65-6.56

Per doz.

17, 23, 30, 64, 116, 140, 150, 151, 162, 174 . . . . .	16.50-65.60
--	-------------

Montgomery traps; coil spring trap with triggerless trigger action; three sizes

Each	
17, 28, 33, 116, 145, 150, 151, 174 . . . . .	3.75-5.30

Per doz.

17, 33, 116, 144, 145, 150, 151, 174 . . . . .	37.50-53.75
--	-------------

Herter's Hudson Bay coil spring traps; single and double springs, pan-tension adjustment; five sizes

Per 6	
69 . . . . .	10.08-31.32

Per 12

69 . . . . .	18.83-68.95
--------------	-------------

Steel trap parts, for trap repair

150, 174 . . . . .	Various
--------------------	---------

**STEREO MICROSCOPES**

Wild M5 Stereomicroscope; magnification range of 1.5 X to 200 X; unreversed image, 180 degree rotatable tubes; modular system

51, 143, 180 . . . . .	1350.00
Wild M3 Stereomicroscope; similar to above but with range of 1.5 X to 160 X and different magnification changer	
51, 143, 180 . . . . .	391.00
Wild M7A zoom stereomicroscope; zoom changer for stepless adjustment in range of 5:1; non-reversed image, full line of interchangeable accessories	
51, 143, 180 . . . . .	1458.00
Bausch and Lomb Stereo-zoom microscopes; magnification range of 2.5 X to 280 X; 180 degree rotation of power pod, full line of interchangeable accessories	
19, 44, 59, 84, 139, 175 . . . . .	358.00-1016.00
Nikon SMZ-2 stereoscopic zoom microscope; continuously variable magnification covering a five-power range extending from 4 X to 120 X; 360 degree rotatable head	
51, 114 . . . . .	730.00
Zeiss stereomicroscope 111; zoom objectives allowing continuous variation of objective magnification from 1 X to 4 X; range of 2 X to 200 X magnification	
44, 49, 143, 183 . . . . .	1025.00
aus JENA Stereomicroscope SM XX; magnification range of 4 X to 100 X; line of interchangeable accessories	
75, 143 . . . . .	795.00
American Optical Stereo Star/Zoom microscope; magnifications from 3.5 X to 210 X; choice of bases, stands, stages	
44, 59, 139 . . . . .	513.00-933.00
Olympus SZ-111 stereo zoom microscope; 5.7 zoom ratio; rotatable observation tube; magnification range of 1.8 X to 180 X; wide range of accessories	
5, 120 . . . . .	560.00

**STRETCHERS, SEE FUR STRETCHERS**

**SYRINGES AND NEEDLES**

Glass syringes; glass or Luer Lock tips; 10 to 100cc capacity	
Each	
32, 34, 44, 59, 81, 84, 138, 139, 152, 166, 172, 175, 179 . . . . .	2.57-32.21
Per doz.	
44, 59, 81, 139, 152, 179 . . . . .	26.57-142.00
Needles for above syringes; several gauges; per doz.	
32, 34, 44, 59, 81, 84, 138, 139, 152, 166, 172, 175, 179 . . . . .	2.55-10.75
Disposable syringes, plastic parts equipped with needle; up to 50cc*	
Per doz.	
44, 59, 138, 139, 152, 166, 172, 175 . . . . .	2.65-3.50
Per 100	
59, 179 . . . . .	10.50-37.45
*Without needle.	
Metal injection syringes; without needles	
10cc; each	
152, 166 . . . . .	7.45-10.60

25cc; each	
152, 166 . . . . .	8.45-12.50
40cc; each	
34 . . . . .	10.75
50cc; each	
152, 166 . . . . .	9.95-12.50

**TABLES, FOLDING FIELD**

Folding drop leaf camp table; 30 by 60 in.; all steel with V braced "U" leg construction; folds to 30 by 30 by 3 in.	
104 . . . . .	19.00
Folding camp table; 30 by 72 in.; 28 in. ht.; same construction as above; folds to 30 by 36 by 3 in.	
104 . . . . .	24.00
Aluminum center fold table; U-shaped tubular aluminum legs; measures 30 by 72 by 29 in.; folds to 30 by 36 by 3 1/2 in.	
125 . . . . .	25.00
Lightweight steel center fold table; aluminum legs and supports; measures 36 by 72 by 29 in.; folds to 33 by 36 in.	
125 . . . . .	30.00
Werzalit top folding camp tables; plastic and wood tops; steel legs; 23 1/2 by 63 by 29 in.; folds to two sections; 23 1/2 by 31 1/2 by 2 1/2 in.	
141 . . . . .	35.00

**TAGS**

Skin tags; 2 ply Resistall Index 100% rag; 3 9/16 by 3/4 in.	
Per 5000	
Locally Available . . . . .	71.10
Skull tags; 18 mm diameter round white tags; 2 ply Resistall Index; with No. 5 linen twine	
Per 5000	
48 . . . . .	228.50
Same as above but without twine	
Per 5000	
Locally Available (arrangements may be made to purchase from Texas Tech Press-contact Dilford C. Carter, The Graduate School, Texas Tech University, Lubbock, Texas 79409) . . . . .	51.65
Alcoholic specimen tags; 2 ply Resistall Index 100% rag; 5/16 by 1 13/16 in.	
Per 8000	
Locally Available . . . . .	24.45
Trap tags; non-rusting metal printed with name and address	
Per 25	
17, 30, 64, 140, 150, 151, 174 . . . . .	1.25-2.25
Per 100	
17, 30, 64, 140, 150, 151, 174 . . . . .	4.75-6.00

Aluminum trap tags; machine stamped with three line address

Per 150

89 . . . . . 4.50

Per 300

89 . . . . . 7.50

Same as above but copper

Per 150

89 . . . . . 7.00

Per 300

89 . . . . . 11.00

#### TANKS, SEE SPECIMEN TANKS

#### TANNING SERVICES

Museum quality tanning

39, 68, 77, 113, 132. . . . . Various

#### TAPE MEASURES, SEE METRIC TAPE MEASURES

#### TENTS

Wall tent; constructed of 10 oz. canvas duck; 14 by 16 by 8 ft. with 4 ft. walls; 4 screened windows; floor; screen inside flaps at one end; ropes included

128, 137 . . . . . 210.00

Wall tent; 10 oz. canvas duck; 8 by 10 by 6 1/2 ft. with 3 ft. walls; floor; ropes included

128, 137 . . . . . 80.00

Wall tent; 10 by 12 by 6 1/2 ft. with 3 ft. walls; 10 oz. canvas duck; floor; ropes included

128, 137 . . . . . 100.00

Wall tent; 10 oz. canvas duck; 12 by 14 by 7 ft. with 3 1/2 ft. walls; floor; ropes included

128, 137 . . . . . 120.00

Also locally available from canvas and awning companies.

Cabin tent; 8 by 10 ft.; nylon walls, 6.73 cotton drill top; 6 1/2 ft. center ht. with 4 1/2 ft. walls; floor; outside steel frame

125 . . . . . 89.00

Other sizes available.

Cabin tent; 8 by 10 ft.; 6 oz. cotton drill; water repellent; two 18 by 29 in. windows; floor

60, 63, 141 . . . . . 85.00-145.95

Nylon cabin tent; 7 by 9 ft.; 2 screened windows; 6 1/2 ft. center; 3 1/2 ft. walls; floor

104 . . . . . 65.00-90.00

#### THREAD

Cotton thread; No. 8 mercerized thread; for tying of skin tags; per spool

Locally Available . . . . . 0.30-0.90

Cotton thread; various weights; for preparation of bird and mammal study skins;  
per spool

Locally Available . . . . . 0.30-0.90

Carpet thread; heavy cotton thread for skull tags, wrapping skeletons, alcoholic  
tags; per spool

Locally Available . . . . . 0.50-0.90

### THYMOL

1/4 lb.

44, 59, 85, 92, 152 . . . . . 3.53-5.38

1 lb.

44, 59, 85, 92, 152 . . . . . 14.50-18.20

### TOLUIDINE BLUE O

Certified biological stain

25 g.

32, 44, 59, 62, 85, 96, 152, 175 . . . . . 5.00-15.45

100 g.

44, 59, 62, 85, 96, 152, 175 . . . . . 18.50-19.91

### TRACING PAPER

18 by 24 in. sheets; 500 sheet package

25 . . . . . 10.00

Also locally available.

### TRACING TABLE, SEE LIGHT TABLE

### TRAP BAGS

Canvas bags; 18 by 24 in., with 42 in. strap, 1 1/2 type O.D. webbing; canvas, 10  
oz., single filled, and untreated; each

Locally Available from Canvas Companies . . . . . 4.65

### TRAPS, SEE BIRD TRAPS, CONIBEAR TRAPS, GOPHER TRAPS, LIVE TRAPS, MOLE TRAPS, MUSEUM SPECIALS, RAT TRAPS, SHERMAN TRAPS, STEEL TRAPS

### TRAP TAGS, SEE TAGS

### TRAYS, DISSECTING

Aluminum, wax-lined dissecting pan; approx. 11 by 7 by 1 1/2 in.

84, 103, 152, 166, 172 . . . . . 1.85-3.19

Aluminum, wax-lined dissecting pan; approx. 13 by 9 by 2 in.

32, 103, 152, 175 . . . . . 2.75-3.50

White enamel instrument trays; for use in dissecting or in sorting specimens

12 1/8 by 7 1/2 by 2 1/8 in.

32, 44, 59, 152, 166, 172 . . . . . 2.50-4.30

16 1/2 by 10 1/8 by 2 3/8 in.

32, 34, 44, 152, 166, 172 . . . . . 3.95-6.90

As above, but large and shallow; for sorting

23 by 12 1/4 by 1 in. 152 . . . . .	5.60
19 1/4 by 13 by 3/4 in. 172 . . . . .	5.29-7.25

Stainless steel specimen trays

21 1/4 by 16 1/4 by 7/8 in. 41, 44 . . . . .	17.44-21.70
19 by 12 1/2 by 5/8 in. 32, 41, 44, 85, 179 . . . . .	11.38-16.52

### ULTRA-VIOLET FILTERS

Lowers transmittance of ultra-violet rays from fluorescent lights which can cause fading of specimens; in sheets, 36 by 48, 48 by 72, 48 by 48, 48 by 96 in.; in three thicknesses

Price per square foot

65 . . . . .	3.05-4.98
--------------	-----------

Fluorescent light sleeves; as above but sleeves fit light tubes

1.200 (inside dimensions) by .045 (wall) by 51 in. 65 . . . . .	2.45
1.625 (inside dimensions) by .045 (wall) by 46 3/4 in. 65 . . . . .	2.75
1.625 (inside dimensions) by .045 (wall) by 92 3/4 in. 65 . . . . .	5.50

Other UV filters of various types

58, 129, 135, 149, 173 . . . . .	.NA
----------------------------------	-----

### VIALS

Opticlear plain top shell vials supplied with open bottom polyethylene stoppers

1 dram; 15 mm by 45 mm; 864/case 44, 79, 152 . . . . .	36.29-52.50
2 dram; 19 mm by 48 mm; 576/case 44, 79, 152 . . . . .	32.83-40.90
3 dram; 21 mm by 50 mm; 432/case 44, 79, 152 . . . . .	31.10-41.04
4 dram; 25 mm by 52 mm; 288/case 44, 79, 152 . . . . .	28.22-34.27

Flint glass vials; without constricted necks; fitted with polyethylene stoppers

21 mm by 50 mm; 864/case 98, 152 . . . . .	59.70-74.55
29 mm by 65 mm; 576/case 98, 152 . . . . .	56.80-67.74

Shell vials; flint glass; short form; without corks; plain necks

1 dram; 45 mm by 15 mm; per gross 4*, 32, 34*, 44, 79*, 138, 139, 152, 172, 175 . . . . .	4.00-7.80
--	-----------

2 dram; 60 mm by 17 mm; per gross	
4*, 32, 34*, 44, 79*, 138, 139, 152, 172, 175 . . . . .	5.00-10.90
3 dram; 65 mm by 19 mm; per gross	
4*, 32, 34*, 44, 79*, 138, 139, 152, 172, 175 . . . . .	6.00-11.55
4 dram; 70 mm by 21 mm; per gross	
4*, 32, 34*, 44, 79*, 138, 139, 152, 172, 175 . . . . .	6.10-15.68
8 dram; 95 mm by 25 mm; per gross	
4*, 32, 34*, 44, 79*, 138, 139, 152, 172, 175 . . . . .	7.95-20.25

\*Sold only in case quantities.

Snap-cap plastic vials

50 mm by 19 mm; per gross	
34 . . . . .	12.50
55 mm by 24 mm; per gross	
34 . . . . .	12.50
55 mm by 28 mm; per gross	
34 . . . . .	12.72
55 mm by 31 mm; per gross	
34 . . . . .	16.22
68 mm by 31 mm; per gross	
34 . . . . .	16.25
80 mm by 31 mm; per gross	
34 . . . . .	18.20

Snap-cap plastic vials; white snap caps on amber plastic vials; per gross

4 dram	
53 . . . . .	6.32
5 dram	
53, 78 . . . . .	4.99-6.42
7 dram	
53, 78 . . . . .	5.68-6.91
10 dram	
78 . . . . .	6.91
12 dram	
53 . . . . .	9.04
14 dram	
78 . . . . .	NA

As above but clear plastic; per gross

4 dram	
179 . . . . .	4.50
7 dram	
78, 139, 172, 179 . . . . .	5.60-11.15
10 dram	
78, 172 . . . . .	13.45
12 dram	
179 . . . . .	6.95

14 dram	
78, 172 . . . . .	16.25
16 dram	
179 . . . . .	8.04

**WASH BOTTLES**

Polyethylene bottle with dispensing tube; liquid dispensed by squeezing bottle

125 ml	
41, 44, 59, 84, 106, 172 . . . . .	0.60-0.80
250 ml	
41, 44, 59, 84, 106, 172 . . . . .	0.70-0.90
500 ml	
41, 44, 59, 84, 106, 172 . . . . .	0.70-1.00
1000 ml	
41, 44, 59, 84, 106, 172 . . . . .	1.25-1.60
8 oz.	
20, 32, 34, 152, 166 . . . . .	0.70-0.90
16 oz.	
20, 32, 34, 152, 166 . . . . .	0.82-1.10
32 oz.	
20, 32, 34, 152, 166 . . . . .	1.19-1.50

**WATER CONTAINERS, SEE JERRY CANS****WIRE**

Monel wire; Monel 400 annealed wire in coils

Size .017 in. diameter; per lb.	
91, 99*, 110**, 115 <sup>+</sup> , 159*** . . . . .	6.14-9.45
Size .023 in. diameter; per lb.	
91, 99*, 115 <sup>+</sup> , 159*** . . . . .	7.48-9.45
Size .028 in. diameter; per lb.	
91, 99*, 110**, 115 <sup>+</sup> , 159*** . . . . .	5.96-9.30
Size .032 in. diameter; per lb.	
91, 99*, 115 <sup>+</sup> , 159*** . . . . .	6.98-9.30
Size .040 in. diameter; per lb.	
91, 99*, 115 <sup>+</sup> , 159*** . . . . .	6.93-9.40
Size .051 in. diameter; per lb.	
91, 99*, 115 <sup>+</sup> , 159*** . . . . .	6.89-9.25
Size .062 in. diameter; per lb.	
99*, 115 <sup>+</sup> , 159*** . . . . .	6.27-8.22
Size .064 in. diameter; per lb.	
91 . . . . .	9.20
Size .070 in. diameter; per lb.	
99*, 115 <sup>+</sup> , 159*** . . . . .	6.85-8.20
Size .072 in. diameter; per lb.	
91 . . . . .	9.25



\*Price on orders of 20 and 22 lbs. minimum order.

\*\*Price on orders of 10 to 25 lbs. orders.

\*\*\*Minimum order is \$140 per item per size.

†Minimum order is 50 lbs. per size.

Galvanized annealed wire; straightened lengths of 24 or 48 in.; per lb. in quantities of 5 lbs. or more

6 ga.	
10, 11, 56, 147 . . . . .	0.49-0.81
8 ga.	
10, 11, 56, 71, 147 . . . . .	0.50-0.81
10 ga.	
10, 11, 56, 71, 147 . . . . .	0.46-0.81
12 ga.	
10, 11, 56, 71, 147 . . . . .	0.48-0.81
13 ga.	
10, 11, 56, 71, 147 . . . . .	0.49-0.81
14 ga.	
10, 11, 56, 71, 147 . . . . .	0.50-0.81
15 ga.	
10, 11, 56, 71, 147 . . . . .	0.51-0.81
16 ga.	
10, 11, 56, 71, 147 . . . . .	0.53-0.81
18 ga.	
10, 56, 71, 147 . . . . .	0.34-0.69
20 ga.	
10, 56 . . . . .	0.39-0.69
As above, but in five lb. coils	
4 ga.; per lb.	
11 . . . . .	0.81
6 ga.; 5 lbs.	
124, 171 . . . . .	2.90-2.95
8 ga.; 5 lbs.	
124, 171 . . . . .	2.90-2.95
10, 11, and 12 ga.; 5 lbs.	
124, 171 . . . . .	2.95-3.15
13, and 14 ga.; 5 lbs.	
124, 171 . . . . .	3.00-3.35
16 ga.; 5 lbs.	
124, 171 . . . . .	3.00-3.50
18 ga.; 5 lbs.	
124, 171 . . . . .	3.10-3.70
20 ga.; 1 lb. coil	
124 . . . . .	1.30

**WRIGHT STAIN**

Certified biological stain

25 g.

13, 32, 44, 59, 84, 85, 92, 138, 152, 175 . . . . . 6.75-9.25

100 g.

13, 32, 44, 59, 85, 92, 138, 152, 172, 175 . . . . . 25.50-34.45

**ZIP-A-TONE, SEE LINE SCREEN TRANSFER SHEETS***DISTRIBUTORS FOR VERTEBRATE COLLECTION  
SUPPLIES*

- |   |  |
|---|--|
| 1. The Absorbent Cotton Co.<br>347 Marshall Road<br>Valley Park, Missouri 63088                                 | 9. American Geographical Society<br>Broadway at 156th Street<br>New York, New York 10032                       |
| 2. Acme Cotton Products Co., Inc.<br>P.O. Box D<br>Valley Stream, New York 11582<br>(212)657-9393               | 10. American Wildlife Studios, Inc.<br>P.O. Box 16030, University Station<br>Baton Rouge, Louisiana 70803      |
| 3. Acme Protection Equipment Co.<br>1201 Kalamazoo Street<br>South Haven, Michigan 49090                        | 11. ARCO Taxidermy Supplies<br>P.O. Box 693<br>Tarpon Springs, Florida 33589                                   |
| 4. ACME Vial and Glass Company<br>4909 San Fernando Road West<br>Los Angeles, California 90039<br>(213)245-3685 | 12. Associated Bag Co.<br>160 South 2nd Street<br>Milwaukee, Wisconsin 53204<br>(414)272-2380                  |
| 5. Acromatic Industries, Inc.<br>P.O. Box 12548<br>Dallas, Texas 75225<br>(214)363-2668                         | 13. J. T. Baker Chemical Company<br>Phillipsburg, New Jersey 08865   |
| 6. Adletter Company<br>7380 Beverly Blvd.<br>Los Angeles, California 90036                                      | 14. Robert J. Baker<br>2308 14th Street<br>Lubbock, Texas 79401  |
| 7. Allcock Manufacturing Co.<br>North Water Street<br>Ossining, New York 10562<br>(914)941-0121                 | 15. Bardl Fur Dressers<br>2524-26 West St. Louis Avenue<br>St. Louis, Missouri 63106<br>(314)421-1029          |
| 8. All Packaging Company<br>312 West Seventh Street<br>Kansas City, Missouri 64105                              | 16. Russ Bassett Co.<br>12440 East Lambert Road<br>P.O. Box 249<br>Whittier, California 90608<br>(213)945-2445 |

17. Ed Bauer Fur & Supply Co.  
Smithboro, Illinois 62284  
(618)664-3212
18. Eddie Bauer, Inc.  
1737 Airport Way South  
Seattle, Washington 98134  
(206)885-3330
19. Bausch and Lomb  
Department 6606  
635 St. Paul Street  
Rochester, New York 14602  
(716)338-6000
20. Bel-Art Products  
Pequannock, New Jersey 07440  
(201)694-0500
21. O. Berk Company  
501 Park Avenue South  
Linden, New Jersey 07036  
(201)925-1221
22. BioQuip Products  
P.O. Box 61  
Santa Monica, California 90406  
(213)322-6636
23. Blake and Lamb, Inc.  
Box 218  
Cambridge, New York 12816
24. Bleitz Wildlife Foundation  
5334 Hollywood Boulevard  
Hollywood, California 90027  
(213)463-6636
25. Dick Blick  
P.O. Box 1267  
Galesburg, Illinois 61401  
(309)343-6181
26. Brainerd Manufacturing Company  
East Rochester, New York 14445  
(716)586-0028
27. Arthur Brown & Brothers, Inc.  
2 West 46th Street  
New York, New York 10036  
(212)265-7100
28. Burnham Brothers  
P.O. Box 100 C  
Marble Falls, Texas 78654  
(512)693-3112
29. Burrell Corporation  
2223 Fifth Avenue  
Pittsburgh, Pennsylvania 15219
30. O. L. Butcher's Trapping Supplies  
Shushan, New York 12873
31. Cannaday Chemical Company  
3821 Magnolia Avenue  
Lubbock, Texas 79403
32. Carolina Biological Supply  
Burlington, North Carolina 27215  
(919)584-0381
33. Central Connecticut Trapper's Supply  
61 York Road  
Kensington, Connecticut 06037  
(203)828-4994
34. Central Scientific Company  
2600 South Kostner Avenue  
Chicago, Illinois 60623  
(312)277-8300
35. Chase Bag Company  
Harris and Moorehead Streets  
P.O. Box 60  
Reidsville, North Carolina 27320  
(919)342-1313
36. Cherokee Products Corp.  
2933 Armory Drive  
Nashville, Tennessee 37204  
(615)244-6160

37. A/S Christiania Glasmagasin  
Postboks 8266  
Hammersborg  
Oslo 1, NORWAY
38. Clay Adams  
Division of Becton, Dickinson & Co.  
Parsippany, New Jersey 07054
39. Clearfield Taxidermy  
603-605 Hannah Street  
Clearfield, Pennsylvania 16830  
(814)765-9561
40. The Coleman Company  
250 North St. Francis  
Wichita, Kansas 67201
41. Cole-Parmer Instrument Co.  
7425 North Oak Park Avenue  
Chicago, Illinois 60648  
(312)647-0272
42. Comision de Estudios del Territorio  
Nacional  
Unidad San Antonio ABAD No. 124  
Mexico 8, D.F., MEXICO
43. Crown Chemical Company  
4235 Duncan Avenue  
St. Louis, Missouri 63110  
(800)325-3316
44. Curtin Scientific, Inc.  
P.O. Box 5304  
Dallas, Texas 75222  
(214)747-2503
45. W. B. Davis  
P.O. Box 3522  
Bryan, Texas 77801
46. Dazor Manufacturing Corp.  
4455-99 Duncan Avenue  
St. Louis, Missouri 63110
47. Delta Solvents & Chemical Co.  
11344 Plano Road  
Dallas, Texas 75231  
(214)341-0510
48. Dennison Manufacturing Co.  
4300 North Central Expressway  
Dallas, Texas 75206  
(214)826-3150
49. Dexter Instrument Co., Inc.  
7342 Oak Manor, No. 143-A  
P.O. Box 29185  
San Antonio, Texas 78229  
(512)344-8979
50. Diottavio and Son, Inc.  
Van Horn and Sophia Streets  
Philadelphia, Pennsylvania 19123
51. Dolan Scientific Instruments, Inc.  
13777 Keystone Park, Suite 210  
Dallas, Texas 75231  
(214)231-5674
52. Dow Chemical Company  
Midland, Michigan 48640
53. Drug Package, Inc.  
O'Fallon, Missouri 63366
54. Eastern Bird-Banding Association  
Biology Department  
Indiana University of Pennsylvania  
Indiana, Pennsylvania 15701
55. Eastman Kodak Company  
Eastman Organic Chemicals  
Rochester, New York 14650
56. J. W. Elwood Supply Co., Inc.  
1202 Harney, Box 3507  
Omaha, Nebraska 68103
57. Federal Cartridge Corp.  
Minneapolis, Minnesota 55402

58. Filter Light Corp.  
P.O. Box 6292  
Greensboro, North Carolina 27405
59. Fisher Scientific Company  
711 Forbes Avenue  
Pittsburgh, Pennsylvania 15219  
(412)562-8300
60. Forestry Suppliers, Inc.  
Box 8397/205 West Rankin Street  
Jackson, Mississippi 39204  
(601)354-3565
61. Fred V. Fowler Co.  
315 Auburn Street  
Auburndale, Massachusetts 02166  
(617)332-7004
62. Ernest F. Fullam, Inc.  
P.O. Box 444  
Schenectady, New York 12301  
(518)785-5533
63. Gander Mountain, Inc.  
P.O. Box 248  
Wilmot, Wisconsin 53192  
(414)862-2331
64. Gascoigne Trapper's Supplies  
Wolcott, New York 14590  
(315)594-2028
65. Glass Distributors, Inc.  
1741 Johnson Avenue NW  
Washington D.C. 20009  
(202)332-9000
66. Great Western Chemical Co.  
860 Wharf Street  
Richmond, California 94804  
(415)235-4810
67. Hamilton Industries  
P.O. Box 137  
Two Rivers, Wisconsin 54241  
(414)793-1121
68. Forest O. Hart, Taxidermist  
Building 25, Bomarc Road  
Bangor, Maine 04401  
(207)945-5375
69. Herter's Inc.  
RFD 2 Interstate 90  
Mitchell, South Dakota 57301  
(605)996-6621
70. Hillsboro Box Co.  
2309 North Albany Avenue  
P.O. Box 1302  
Tampa, Florida 33601  
(813)251-1644
71. M. J. Hofmann Co.  
963 Broadway  
Brooklyn, New York 11221
72. Holubar Mountaineering Ltd.  
Box 7  
Boulder, Colorado 80302
73. Hutchinson Bag Corp.  
P.O. Box 1286  
Hutchinson, Kansas 67501  
(316)663-8301
74. Interior Steel Company  
2352 East 69th Street  
Cleveland, Ohio 44104  
(216)881-0100
75. International Micro-Optics  
Div. of Charvox-Carsen Corp.  
5 Daniel Road  
Fairfield, New Jersey 07006  
(201)227-6767
76. J and S Precision Scientific  
Measuring Instrument Company  
1020 East 54th Street  
Brooklyn, New York 11234  
(212)241-7482

77. Jonas Brothers, Inc.  
1037 Broadway  
Denver, Colorado 80203  
(303)255-4813
78. Kerr Glass Mfg. Corp.  
611 South Shatto Place  
Los Angeles, California 90005
79. Kimble  
Division of Owens-Illinois, Inc.  
P.O. Box 1035  
Toledo, Ohio 43666
80. Knape and Vogt Mfg. Co.  
2700 Oak Industrial Drive, NE  
Grand Rapids, Michigan 49505  
(616)459-3311
81. Laboratory Supplies Co., Inc.  
29 Jefry Lane  
Hicksville, New York 11801  
(516)681-7711
82. Ladd Research Industries, Inc.  
P.O. Box 901  
Burlington, Vermont 05401  
(802)658-4961
83. Lane Science Equipment Corp.  
105 Chambers Street  
New York, New York 10007  
(212)267-4445
84. LaPine Scientific Co.  
6001 South Knox Avenue  
Chicago, Illinois 60629  
(312)735-4700
85. Lipshaw Manufacturing Corp.  
7446 Central Avenue  
Detroit, Michigan 48210  
(313)834-8855
86. Jay G. Lissner  
3417 West First Street  
Los Angeles, California 90004
87. A. E. Long and Co. Limited  
32 Cranfield Road  
Toronto, Ontario M4B 3H4 CANADA
88. Longworth Scientific Instrument  
Thames Street, Abingdon  
Berks, ENGLAND
89. Stephen Lynch  
Clifford, Pennsylvania 18413
90. Z. A. MacAbee Gopher Trap Co.  
110 Loma Alta Avenue  
Los Gatos, California 95030  
(408)354-4158
91. Malin Company  
5400 Smith Road  
Brook Park, Ohio 44142
92. Mallinckrodt  
Second and Mallinckrodt Streets  
P.O. Box 5439  
St. Louis, Missouri 63160  
(314)231-8980
93. Map Distribution Office  
Survey and Mapping Branch  
Dept. of Energy, Mines and Resources  
Ottawa, Ontario K1A 0E9 CANADA
94. Markson Science Inc.  
175 Oak Street  
Del Mar, California 92014  
(714)755-6655
95. Mayville Engineering Co., Inc.  
Mayville, Wisconsin 53050
96. MC/B Manufacturing Chemists  
2902 Highland Avenue  
Norwood, Ohio 45212  
(513)631-0445

97. McCulloch Corp.  
6101 West Century Boulevard  
Los Angeles, California 90045
98. Mercer Glass Works, Inc.  
725 Broadway  
New York, New York 10003  
(212)673-5620
99. Metal Goods  
P.O. Box 35086  
Dallas, Texas 75235  
(214)351-3271
100. Metric and Multistandard  
Components  
198 Saw Mill River Road  
Elmsford, New York 10523
101. Frank Miller and Sons, Inc.  
13831 South Emerald Avenue  
Chicago, Illinois 60627  
(312)468-3500
102. Mist Nets, Northeastern Bird  
Banding Association  
Manomet Bird Observatory  
P.O. Box O  
Manomet, Massachusetts 02345
103. Mogul-ED  
P.O. Box 482  
Oshkosh, Wisconsin 54901
104. Montgomery Wards  
Regional Distribution Centers
105. Mustang Manufacturing Company  
P.O. Box 10947  
Houston, Texas 77018
106. Nalge Sybron Corp.  
75 Panorama Creek Drive  
Rochester, New York 14602
107. National Camera, Inc.  
Englewood, Colorado 80110
108. National Cork Company  
P.O. Box 35  
Keyport, New Jersey 07735
109. National Live Trap Corp.  
P.O. Box 302  
Tomahawk, Wisconsin 54487
110. National Standard Company  
70 James Street  
Worcester, Massachusetts 01603  
(617)752-2871
111. Karl A. Neise, Inc.  
56-02 Roosevelt Avenue  
Woodside, New York 11377  
(212)446-7799
112. Netcraft Company  
3101 Sylvania Avenue  
Toledo, Ohio 43613  
(419)472-9826
113. New Method Fur Dressing Co.  
131 Beacon Street  
South San Francisco,  
California 94080  
(415)583-9881
114. Nikon Incorporated  
Instrument Division  
Ehrenreich Photo-Optical  
Industries, Inc.  
623 Stewart Avenue  
Garden City, New York 11530  
(516)248-5200
115. Northampton Manufacturing Corp.  
Wire Division  
122 Federal Street  
Northampton, Massachusetts 01060  
(413)584-3964
116. Northwest Trapper's Supply  
P.O. Box 408  
Owatonna, Minnesota 55060  
(507)451-7607

117. Norwood Chemical Co.  
12233 Robin Blvd.  
Houston, Texas 77045  
(713)433-6433
118. Nylon Net Company  
7 Vance Avenue  
P.O. Box 592  
Memphis, Tennessee 38101  
(901)525-8616
119. Ohaus Scale Corporation  
29 Hanover Road  
Florham Park, New Jersey 07932  
(201)377-9000
120. Olympus Corporation of America  
2 Nevada Drive  
New Hyde Park, New York 11040  
(516)488-3880
121. Pacific Felt  
710 York Street  
San Francisco, California 94110
122. Padgett Manufacturing Co.  
860 Chesapeake Drive  
Harrisonburg, Virginia 22801  
(703)434-6555
123. ParaTone, Inc.  
512 West Burlington Avenue  
LaGrange, Illinois 60525
124. Penn Taxidermy Supply Co.  
P.O. Box 156  
Hazleton, Pennsylvania 18201
125. J.C. Penney Co., Inc.  
Regional Distribution Centers
126. Photovolt Corp.  
1115 Broadway  
New York, New York 10010
127. Polyfoam Packers Corp.  
6415 North California Avenue  
Chicago, Illinois 60645  
(312)761-4045
128. A. E. Quest and Sons, Inc. Mfg. Co.  
222 East 34th Street  
Lubbock, Texas 79404
129. Raytech Industries, Inc.  
P.O. Box 84  
River Road  
Stafford Springs, Connecticut 06076
130. Recreational Equipment, Inc.  
P.O. Box 24827  
Seattle, Washington 98130  
(206)323-8333
131. Remington Arms Co., Inc.  
Bridgeport, Connecticut 06602
132. Rochester Fur Dressing Co., Inc.  
219 Smith Street  
Rochester, New York 14608
133. Rock River Manufacturing Corp.  
P.O. Box 388  
Janesville, Wisconsin 53545  
(608)754-6956
134. Rockwood's Trapper Supply  
RD No. 4  
Oswego, New York 13126  
(315)343-3277
135. Rohm & Haas  
222 West Washington Square  
Philadelphia, Pennsylvania 19106
136. St. Regis Paper Company  
Rigid Box Division  
P.O. Box 250  
3000 N.W. Seventh Street  
Mineral Wells, Texas 76067



137. San Antonio Tent and Awning Co.  
P.O. Box 20426  
San Antonio, Texas 78220
138. Sargent-Welch Scientific Co.  
7300 North Linder Avenue  
Skokie, Illinois 60076  
(312)677-0600
139. Scientific Products  
Div. American Hospital Supply Corp.  
1430 Waukegan Road  
McGaw Park, Illinois 60085
140. Scott's Fur Co.  
RD No. 3, Box 544  
Ashland, Ohio 44805  
(419)962-4935
141. Sears and Roebuck  
Regional Distribution Centers
142. Secretaria de Agricultura y Ganaderia  
Direccion General de Geografia  
y Meterologia  
Av. Obseratori No. 192  
Tacubaya 18, D.F., MEXICO
143. Seiler Instrument & Mfg. Co., Inc.  
170 East Kirkham Avenue  
St. Louis, Missouri 63119  
(314)968-2282
144. Ludvick W. Sheda  
Supply and Wild Fur Co.  
Chelsea, Iowa 52215  
(515)489-2155
145. Sherk's Hunting & Trapping Supplies  
RD No. 1  
Ephrata, Pennsylvania 17522  
(717)733-3407
146. Gerald E. Phillips  
H. B. Sherman Traps  
2024 Shady Oaks Drive  
Tallahassee, Florida 32303  
(904)575-0424
147. Smallwoods  
28 Waugh Drive  
Houston, Texas 77007  
(713)861-1796
148. Societe Francaise des Verreries  
Mecaniques Champenoises  
147, Rue Ernest Renan 51,  
Reims B.P. 67  
FRANCE
149. Solar Screen Co.  
150-17 12th Road  
Whitestore, New York 11357
150. Southeastern Fur Co.  
RFD No. 2  
Sumner, Illinois 62466
151. Southeastern Outdoor Supplies  
Route 3 Box 503  
Bassett, Virginia 24055  
(703)638-4698
152. Southern Biological Supply Co.  
McKenzie, Tennessee 38201  
(901)352-3337
153. Standard Textile Co., Inc.  
410 West Lombard Street  
Baltimore, Maryland 21201  
(301)727-1798
154. State Chemical Company  
804 Eighth Street  
Lubbock, Texas 79403
155. Stauffer Chemical Company  
West Port, Connecticut 06880
156. Stearns and Foster Co.  
Wyoming Avenue and  
Williams Street  
Cincinnati, Ohio 45215  
(513)821-0700

157. Steel Fixture Manufacturing Co.  
P.O. Box 917  
Topeka, Kansas 66601  
(913)233-8911
158. Sullivan's Sure-Catch Traps  
544 South Patterson Street  
P.O. Box 1241  
Valdosta, Georgia 31601  
(912)242-1677
159. Techalloy Company, Inc.  
Rahns, Pennsylvania 19426  
(215)489-7211
160. Texas Art Supply  
2001-2021 Montrose  
Houston, Texas 77006  
(713)526-5221
161. Thermolyne Sybron Corp.  
2555 Kerper Boulevard  
Dubuque, Iowa 52001
162. Raymond Thompson Company  
15815 2nd Place West  
Lynnwood, Washington 98036
163. TIMSCO  
1603 East Houston  
P.O. Box 1227  
Marshall, Texas 75670
164. Tomahawk Live Trap Co.  
P.O. Box 323  
Tomahawk, Wisconsin 54487  
(715)453-3550
165. TRIPP LITE  
Div. of Trippe Mfg. Co.  
133 North Jefferson Street  
Chicago, Illinois 60606
166. Turtox/Cambosco  
MacMillan Science Co., Inc.  
8200 South Hoyne Avenue  
Chicago, Illinois 60620
167. Uniroyal Plastics Products  
Division of Uniroyal, Inc.  
Adhesives and Coatings Dept.  
312 North Hill Street  
Mishawaka, Indiana 46544
168. U.S. Geological Survey  
Denver Federal Center Bldg. 41  
Denver, Colorado 80225
169. U.S. Geological Survey  
1200 South Eads Street  
Arlington, Virginia 22202
170. Universal Bookbindery, Inc.  
P.O. Box 159  
San Antonio, Texas 78291  
(512)225-6551
171. Van Dyke's  
Woonsocket, South Dakota 57385  
(605)796-4425
172. Van Waters and Rogers  
P.O. Box 3200  
Rincon Annex  
San Francisco, California 94119  
(415)469-0100
173. Verd-A-Ray Corporation  
615 Front Street  
Toledo, Ohio 43605
174. Verleen Trapper's Supply  
Route 1  
Nashville, Kansas 67112  
(316)246-5310
175. Ward's Natural Science  
Establishment  
P.O. Box 1712  
Rochester, New York 14603
176. W. J. Wasserfall  
22 Roycrest Avenue  
Willowdale, Ontario CANADA

177. Western Paper Box Co.  
P.O. Box 3729  
Hayward, California 94540  
(415)782-7400
178. Wheaton Scientific Equipment  
1000 North Tenth Street  
Millville, New Jersey 08332  
(609)825-1400, Ext. 314
179. White Cross Surgical Medical Supplies  
Division of White Cross Surgical Instr. Ltd.  
260 Richmond Street West  
Toronto M5V 1W8, Ontario  
CANADA  
(416)863-0345
180. Wild Heerbrugg Instruments, Inc.  
465 Smith Street  
Farmingdale, New York 11735  
(516)293-7400
181. Winchester-Western  
Division of Olin Corporation  
275 Winchester Avenue  
New Haven, Connecticut 06511
182. Woodstream Corporation  
Lititz, Pennsylvania 17543  
(717)626-2125
183. Carl Zeiss, Inc.  
444 Fifth Avenue  
New York, New York 10018  
(212)736-6070

Address of authors: *The Museum, Texas Tech University, Lubbock, 79409*. Present address of:  
Genoways: *Section of Mammals, Carnegie Museum of Natural History, 4400 Forbes Avenue,  
Pittsburgh, Pennsylvania 15213*; Dowler: *Department of Biology, Fort Hays Kansas State College,  
Hays, 67601*.

## APPENDIX A

*NOTE:* Part 'B' fits within 'A' & 'C'

*ABSOLUTE OUTSIDE MEASUREMENTS OF BOX (PARTS A & C)*

Box No.	Length	Width	Height
MB11	3 1/8"	1 5/8"	1 7/8"
MB12	4 3/8"	2 3/8"	2 3/8"
MB13	8 7/8"	3 7/8"	3 3/8"
MB14	10 7/8"	4 3/4"	3 3/8"
MB15	11 1/4"	11 1/4"	6 "
MB16	2 1/2"	1 1/2"	1 1/4"

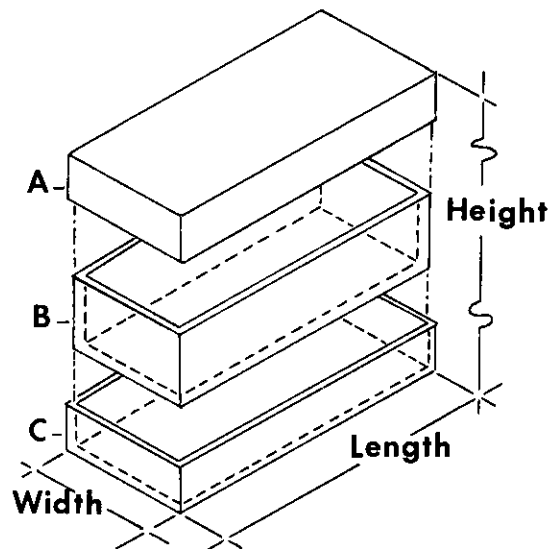
Measurements for Part B are such as to allow for a snug fit within parts A and C. Part B height shall be sufficient to reach to within 1/4" of the inside top of Part A when box is closed.

*SPECIFICATIONS:*

*Part A (box lid).*—To be made of .048 white vatlined board and tight-wrapped with Kraft paper.

*Part B (tray).*—To be made of .048 vatlined board and tight-wrapped with white litho paper and glued in to the base (Part C).

*Part C (box base).*—To be made of .048 plain chipboard and tight wrapped with Kraft paper.



## APPENDIX B

*DIMENSIONS FOR TRAYS*

Tray No.	Length	Width	Height
MT21	8 1/2"	2 7/8"	7/8"
MT22	12 3/4"	2 7/8"	7/8"
MT23	17 3/16"	7 3/8"	11/16"

*SPECIFICATIONS:* To be made of .048 white vatlined board and tight-wrapped with white litho paper.

