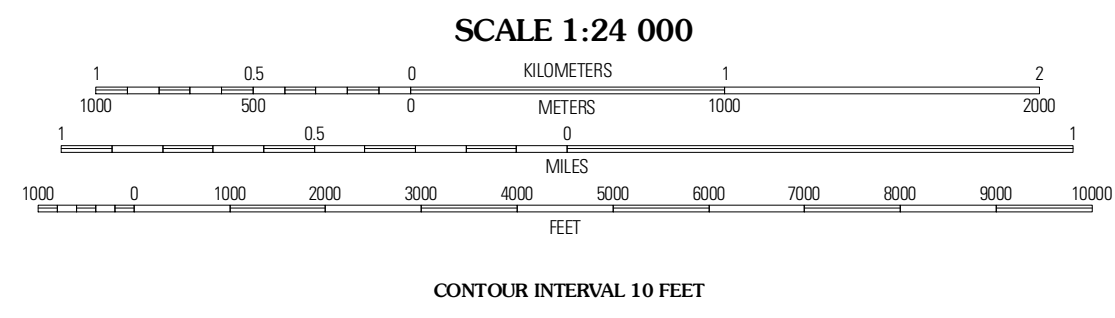
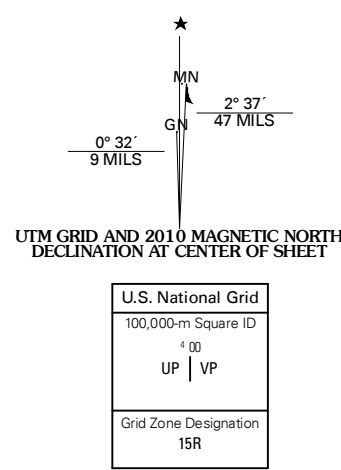




Produced by the United States Geological Survey
North American Datum of 1983 (NAD83)
World Geodetic System of 1984 (WGS84). Projection and
1 000-meter grid: Universal Transverse Mercator, Zone 15R
10 000-foot ticks: Texas Coordinate System of 1983
(south central and central zones)

Imagery:.....NAIP, January 2009
Roads:.....US Census Bureau TIGER data
with limited USGS updates, 2004 - 2005
Names:.....GNIS, 2008
Hydrography:.....National Hydrography Dataset, 1995
Contours:.....National Elevation Dataset, 2004



This map was produced to conform with version 0.5.10 of the
draft USGS Standards for 7.5-Minute Quadrangle Maps.
A metadata file associated with this product is also draft version 0.5.10

