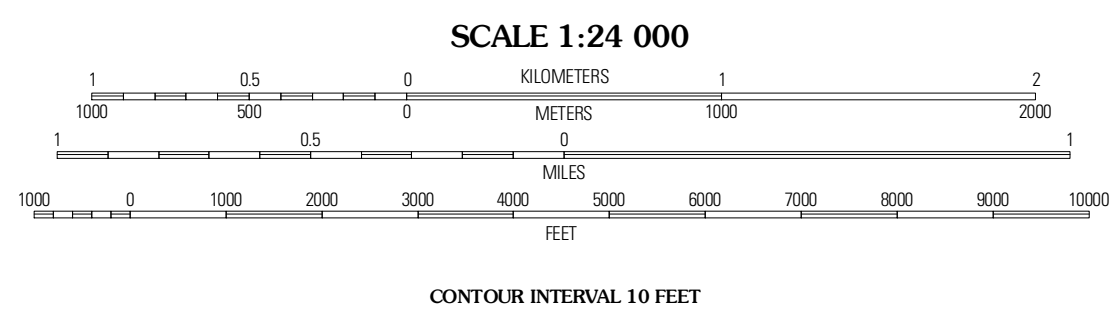
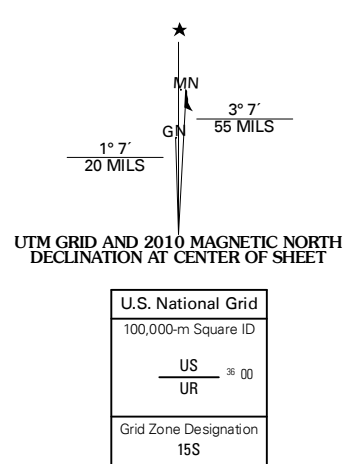




Produced by the United States Geological Survey  
North American Datum of 1983 (NAD83)  
World Geodetic System of 1984 (WGS84). Projection and  
1 000-meter grid: Universal Transverse Mercator, Zone 15S  
10 000-foot ticks: Texas Coordinate System of 1983  
(north central zone)

Imagery.....NAIP, January 2009  
Roads.....US Census Bureau TIGER data  
with limited USGS updates, 2006 - 2007  
Names.....GNIS, 2008  
Hydrography.....National Hydrography Dataset, 1995  
Contours.....National Elevation Dataset, 2004



This map was produced to conform with version 0.5.10 of the  
draft USGS Standards for 7.5-Minute Quadrangle Maps.  
A metadata file associated with this product is also draft version 0.5.10



QUADRANGLE LOCATION

Stacy Grove	Pritchett	Gilmer
Hawkins	<b>Big Sandy</b>	Gladeview
Winona	Starville	Kilgore NW

ADJOINING 7.5' QUADRANGLES  
TX 3295-411

