



U.S. DEPARTMENT OF THE INTERIOR
U. S. GEOLOGICAL SURVEY

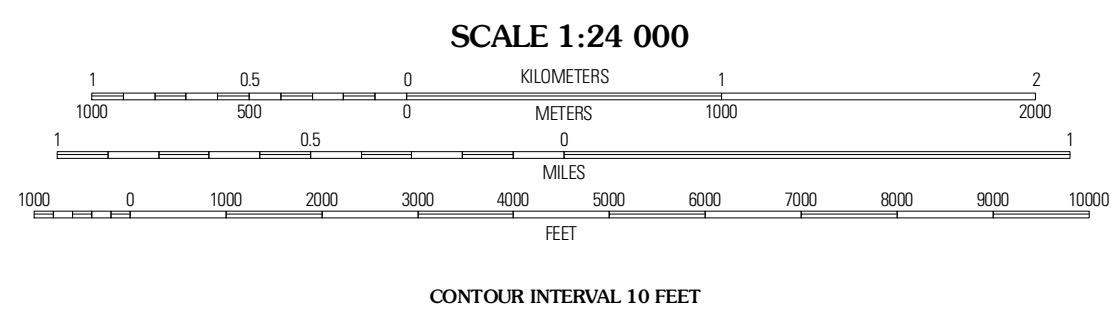
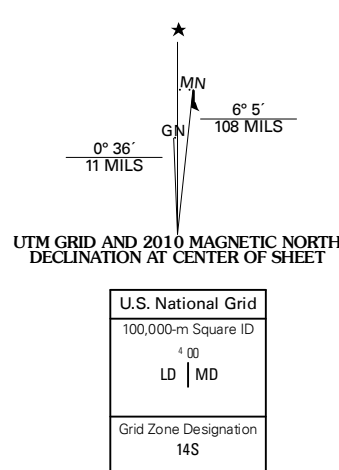


DODSON QUADRANGLE
TEXAS-OKLAHOMA
7.5-MINUTE SERIES



Produced by the United States Geological Survey
North American Datum of 1983 (NAD83)
World Geodetic System of 1984 (WGS84), Projection and
10 000-foot ticks: Texas Coordinate System of 1983
(north zone) and Oklahoma Coordinate System of 1983
(south zone)

Imagery.....NAIP, April 2008 - August 2008
Roads.....US Census Bureau TIGER data
with limited USGS updates, 2005 - 2008
Names.....GNIS, 2008
Hydrography.....National Hydrography Dataset, 1995
Contours.....National Elevation Dataset, 2007



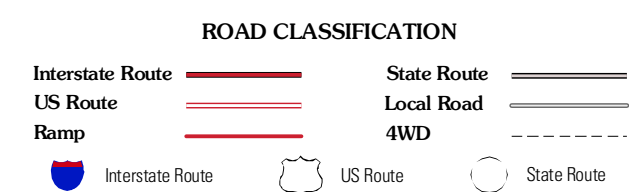
This map was produced to conform with version 0.5.10 of the
draft USGS Standards for 7.5-Minute Quadrangle Maps.
A metadata file associated with this product is also draft version 0.5.10



QUADRANGLE LOCATION

Wellington	Shinney Creek	Madge
Wellington	Dodson	McKnight
Loco	Arle	Holls

ADJOINING 7.5' QUADRANGLES
TX 34100-441



DODSON, TX-OK
2010