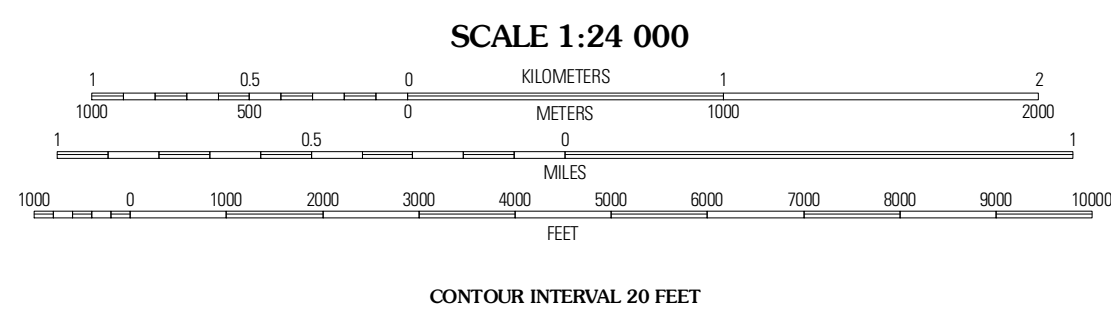
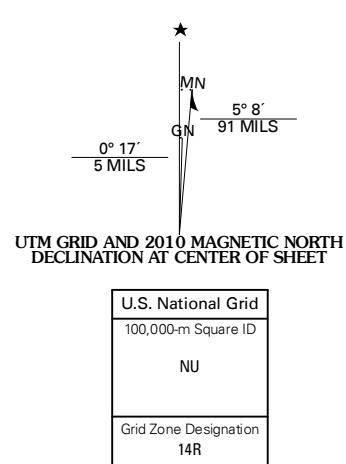




Produced by the United States Geological Survey
North American Datum of 1983 (NAD83)
World Geodetic System of 1984 (WGS84). Projection and
1 000-meter grid: Universal Transverse Mercator, Zone 14R
10 000-foot ticks: Texas Coordinate System of 1983
(central zone)

Imagery.....NAIP, June 2008
Roads.....US Census Bureau TIGER data
with limited USGS updates, 2004 - 2008
Names.....GNIS, 2008
Hydrography.....National Hydrography Dataset, 1995
Contours.....National Elevation Dataset, 2003



This map was produced to conform with version 0.5.10 of the
draft USGS Standards for 7.5-Minute Quadrangle Maps.
A metadata file associated with this product is also draft version 0.5.10



QUADRANGLE LOCATION

Click	Danman Mountain	Marble Falls
Blowout	Howell Mountain	Round Mountain
Rocky Creek	Johnson City	Pedernales Falls

ADJOINING 7.5' QUADRANGLES
TX 3098-133

ROAD CLASSIFICATION

Interstate Route	State Route	Local Road
US Route	4WD	
Ramp		

HOWELL MOUNTAIN, TX
2010