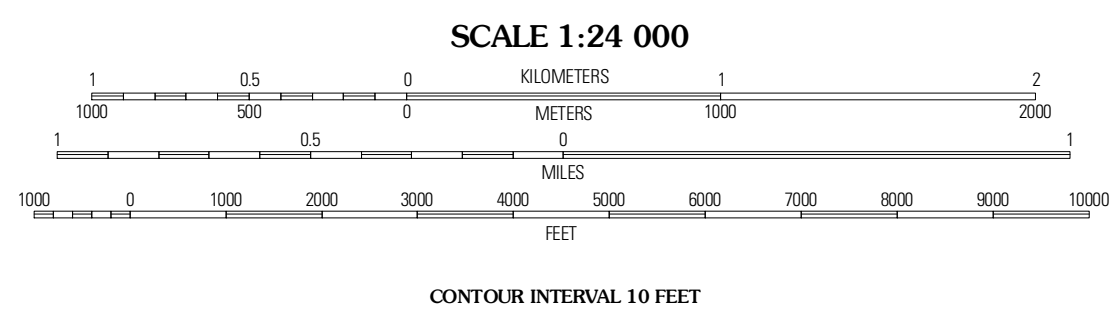
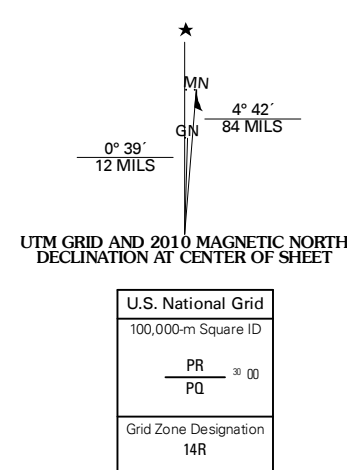




Produced by the United States Geological Survey
North American Datum of 1983 (NAD83)
World Geodetic System of 1984 (WGS84). Projection and
1 000-meter grid: Universal Transverse Mercator, Zone 14R
10 000-foot ticks: Texas Coordinate System of 1983
(south zone)

Imagery:.....NAIP, April 2008
Roads:.....US Census Bureau TIGER data
with limited USGS updates, 2008
Names:.....GNIS, 2008
Hydrography:.....National Hydrography Dataset, 1995
Contours:.....National Elevation Dataset, 2009



This map was produced to conform with version 0.5.10 of the
draft USGS Standards for 7.5-Minute Quadrangle Maps.
A metadata file associated with this product is also draft version 0.5.10



QUADRANGLE LOCATION

La Parra Ranch	La Parra Ranch NE	Yarborough Pass
La Parra Ranch SW	La Parra Ranch SE	Potrero Cortado
Sun Pedro Ranch	Maria Estrella Well	Potrero Lopez NW

ADJOINING 7.5' QUADRANGLES
TX 2797-211

ROAD CLASSIFICATION

Interstate Route	State Route
US Route	Local Road
Ramp	4WD

Interstate Route US Route State Route

LA PARRA RANCH SE, TX
2010