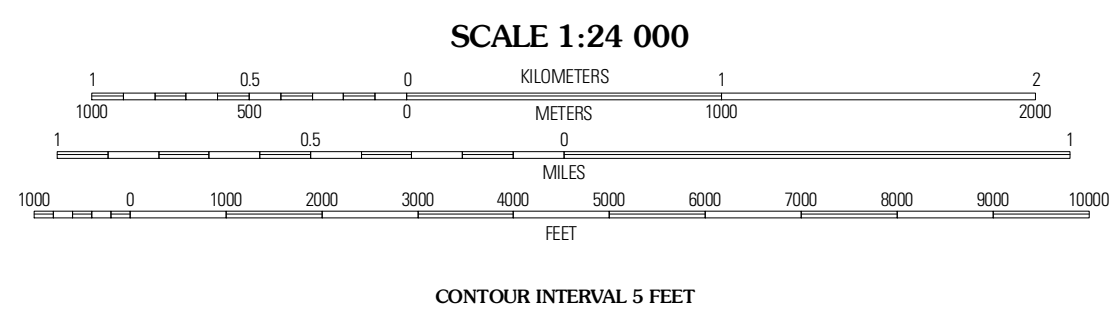
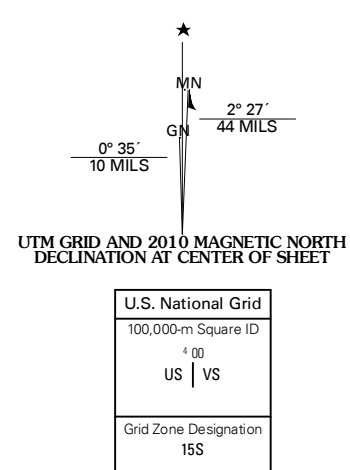




Produced by the United States Geological Survey
North American Datum of 1983 (NAD83)
World Geodetic System of 1984 (WGS84). Projection and
1 000-meter grid: Universal Transverse Mercator, Zone 15S
10 000-foot ticks: Texas Coordinate System of 1983
(north central zone)
and Louisiana Coordinate System of 1983
(north zone)

Imagery.....NAP, January 2006 - January 2009
Roads.....US Census Bureau TIGER data
with limited USGS updates, 2004 - 2008
Names.....GNIS, 2008
Hydrography.....National Hydrography Dataset, 1995
Contours.....National Elevation Dataset, 2007



This map was produced to conform with version 0.5.10 of the
draft USGS Standards for 7.5-Minute Quadrangle Maps.
A metadata file associated with this product is also draft version 0.5.10



QUADRANGLE LOCATION

Atlanta South	Roanna	Doddridge
Kildare	McLeod	Vicksan North
Smithland	Trees	Vicksan South

ADJOINING 7.5' QUADRANGLES
TX 3294-444

