

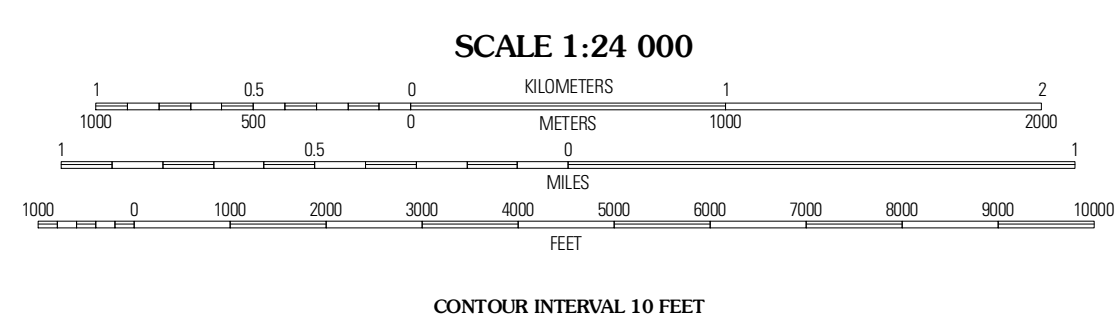


Produced by the United States Geological Survey
North American Datum of 1983 (NAD83)
World Geodetic System of 1984 (WGS84). Projection and
1 000-meter grid: Universal Transverse Mercator, Zone 15S
10 000-foot ticks: Texas Coordinate System of 1983
(north central zone)

Imagery.....NAIP, January 2009
Roads.....US Census Bureau TIGER data
with limited USGS updates, 2004
Names.....GNIS, 2008
Hydrography.....National Hydrography Dataset, 1995
Contours.....National Elevation Dataset, 2004

UTM GRID AND 2010 MAGNETIC NORTH
DECLINATION AT CENTER OF SHEET

| | |
|-----------------------|---------------------|
| U.S. National Grid | 100,000-m Square ID |
| TS | |
| Grid Zone Designation | 15S |



This map was produced to conform with version 0.5.10 of the
draft USGS Standards for 7.5-Minute Quadrangle Maps.
A metadata file associated with this product is also draft version 0.5.10

QUADRANGLE LOCATION

| | | |
|-----------------|--------------|---------------|
| Comanche South | Cumby | Goffed Chapel |
| Loise Oak North | Miller Grove | Brashear |
| Loise Oak South | Emory North | Arbala |

ADJOINING 7.5' QUADRANGLES
TX 3395-221

ROAD CLASSIFICATION

| | |
|------------------|-------------|
| Interstate Route | State Route |
| US Route | Local Road |
| Ramp | 4WD |