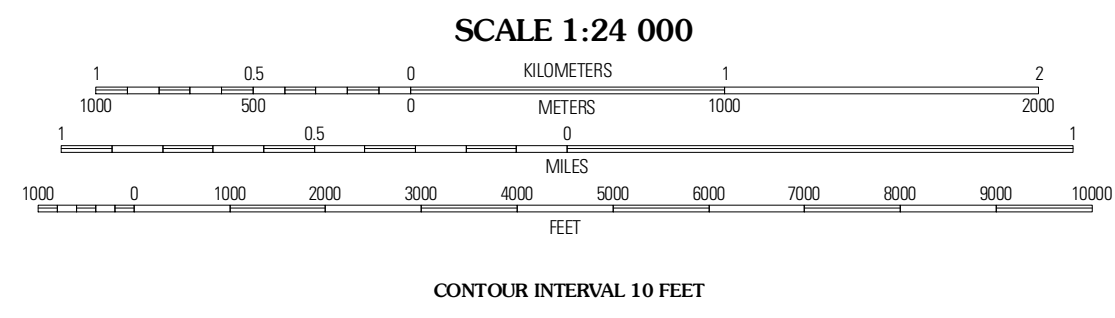
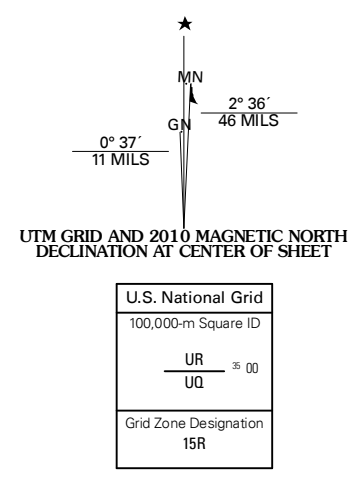




Produced by the United States Geological Survey
North American Datum of 1983 (NAD83)
World Geodetic System of 1984 (WGS84). Projection and
1 000-meter grid: Universal Transverse Mercator, Zone 15R
10 000-foot ticks: Texas Coordinate System of 1983
(central zone)

Imagery.....NAIP, January 2009
Roads.....US Census Bureau TIGER data
with limited USGS updates, 2008
Names.....GNIS, 2008
Hydrography.....National Hydrography Dataset, 1995
Contours.....National Elevation Dataset, 2003



CONTOUR INTERVAL 10 FEET

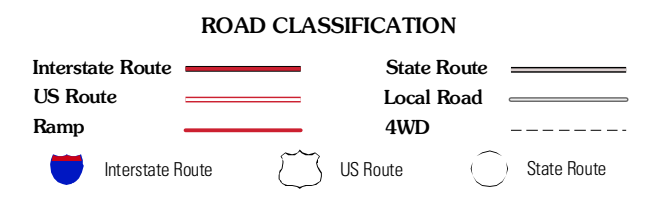
This map was produced to conform with version 0.5.10 of the
draft USGS Standards for 7.5-Minute Quadrangle Maps.
A metadata file associated with this product is also draft version 0.5.10



QUADRANGLE LOCATION

Arcadia	Center	Shelbyville
Mount Herman	Neuville	Hurstown
Chiono North	San Augustine West	San Augustine East

ADJOINING 7.5 QUADRANGLES
TX 3194-413



NEUVILLE, TX
2010