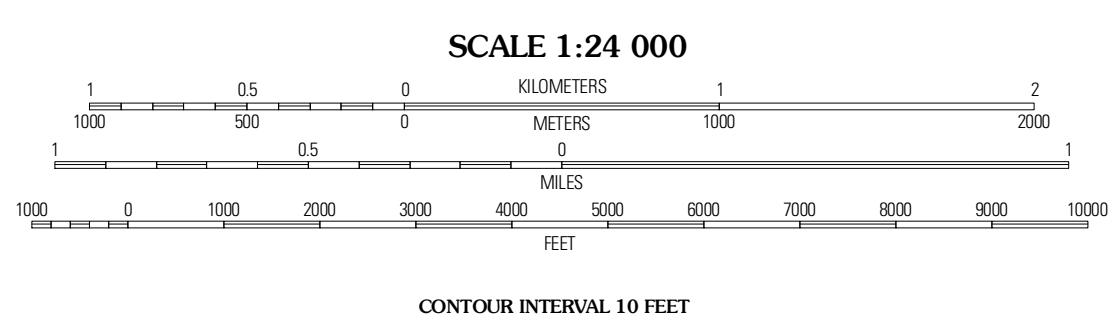


Produced by the United States Geological Survey
North American Datum of 1983 (NAD83)
World Geodetic System of 1984 (WGS84), Projection and
1 000-meter grid; Universal Transverse Mercator, Zone 14S
10 000-foot ticks: Texas Coordinate System of 1983
(north zone)

Imagery.....NAIP, August 2008
Roads.....US Census Bureau TIGER data
with limited USGS updates, 2005
Names.....GNIS, 2008
Hydrography.....National Hydrography Dataset, 1995
Contours.....National Elevation Dataset, 2007

UTM GRID AND 2011 MAGNETIC NORTH
DECLINATION AT CENTER OF SHEET

U.S. National Grid
100,000m Square ID
ID
Grid Zone Designation
14S



This map was produced to conform with version 0.5.10 of the
draft USGS Standards for 7.5-Minute Quadrangle Maps.
A metadata file associated with this product is also draft version 0.5.10

QUADRANGLE LOCATION

| | | |
|----------|----------|---------------|
| Abra | Dexter | Lutie |
| Quail | Rolla NE | Wellington NW |
| Rolla SW | Rolla | Wellington |

ADJOINING 7.5' QUADRANGLES
TX 34100-434

ROAD CLASSIFICATION

| | |
|------------------|-------------|
| Interstate Route | State Route |
| US Route | Local Road |
| Ramp | 4WD |

ROLLA NE, TX
2010