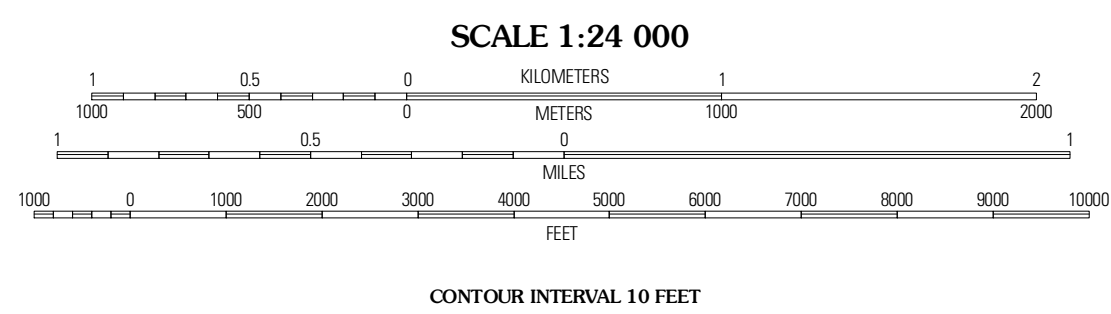
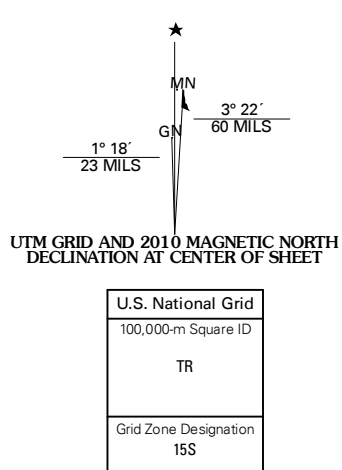




Produced by the United States Geological Survey
North American Datum of 1983 (NAD83)
World Geoside System of 1984 (WGS84). Projection and
1 000-meter grid. Universal Transverse Mercator, Zone 15S
10 000-foot ticks: Texas Coordinate System of 1983
(north central and central zones)

Imagery:.....NAIP, January 2009
Roads:.....US Census Bureau TIGER data
with limited USGS updates, 2006 - 2008
Names:.....GNIS, 2008
Hydrography:.....National Hydrography Dataset, 1995
Contours:.....National Elevation Dataset, 2003



This map was produced to conform with version 0.5.10 of the
draft USGS Standards for 7.5-Minute Quadrangle Maps.
A metadata file associated with this product is also draft version 0.5.10



QUADRANGLE LOCATION

Brownbore	Chandler	Tyler South
Moore Station	Saline Bay	Bullard
Poyner	Berryville	Mount Solman

ADJOINING 7.5' QUADRANGLES
TX 3295-123

