



U.S. DEPARTMENT OF THE INTERIOR  
U. S. GEOLOGICAL SURVEY

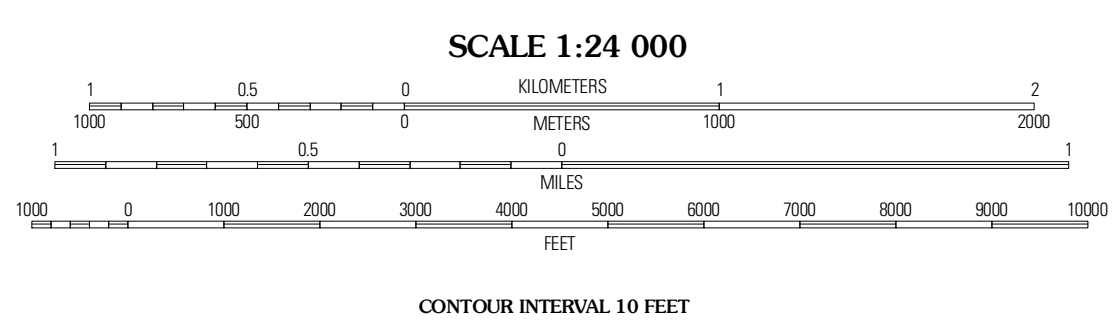
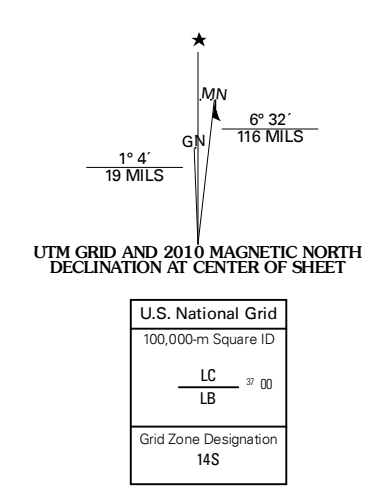


SPUR NW QUADRANGLE  
TEXAS  
7.5-MINUTE SERIES

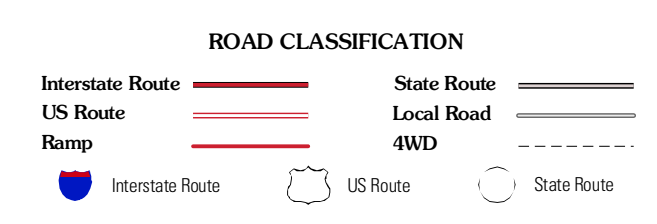
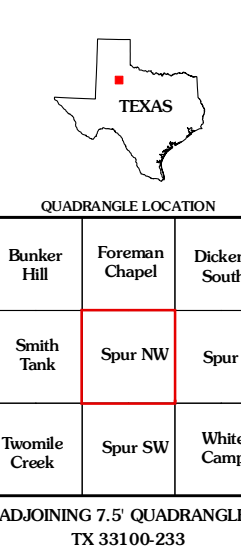


Produced by the United States Geological Survey  
North American Datum of 1983 (NAD83)  
World Geodetic System of 1984 (WGS84). Projection and  
1 000-foot grid: Universal Transverse Mercator, Zone 14S  
10 000-foot ticks: Texas Coordinate System of 1983  
(north central zone)

Imagery.....NAIP, August 2008  
Roads.....US Census Bureau TIGER data  
with limited USGS updates, 2005 - 2008  
Names.....GNIS, 2008  
Hydrography.....National Hydrography Dataset, 1995  
Contours.....National Elevation Dataset, 2007



This map was produced to conform with version 0.5.10 of the  
draft USGS Standards for 7.5-Minute Quadrangle Maps.  
A metadata file associated with this product is also draft version 0.5.10



SPUR NW, TX  
2010