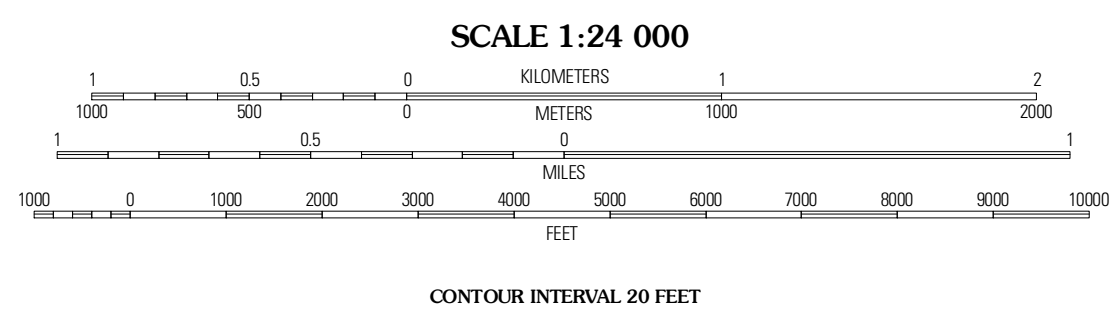
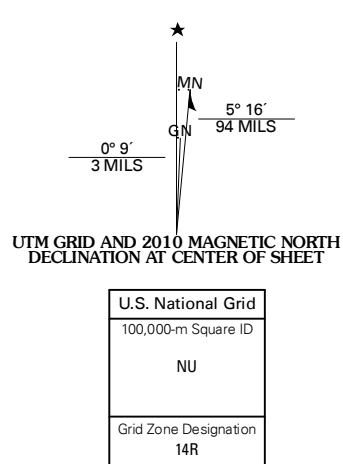


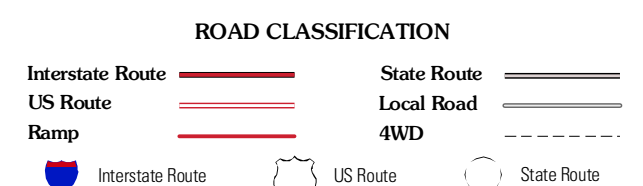
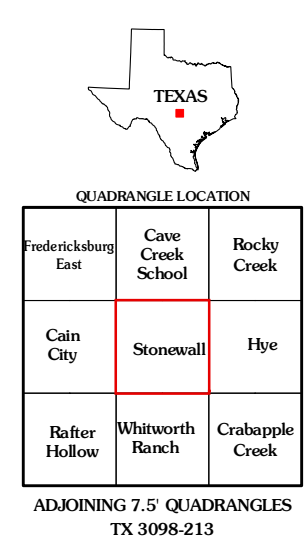


Produced by the United States Geological Survey
North American Datum of 1983 (NAD83)
US Census Bureau TIGER data with limited USGS updates, 2007-2008
World Geodetic System of 1984 (WGS84). Projection and 1 000-meter grid: Universal Transverse Mercator, Zone 14R
10 000-foot ticks: Texas Coordinate System of 1983 (central and south central zones)

Imagery: NAIP, June 2008
Roads: US Census Bureau TIGER data with limited USGS updates, 2007-2008
Names: GNS, 2008
Hydrography: National Hydrography Dataset, 1995
Contours: National Elevation Dataset, 2003



This map was produced to conform with version 0.5.10 of the draft USGS Standards for 7.5-Minute Quadrangle Maps. A metadata file associated with this product is also draft version 0.5.10



STONEWALL, TX
2010