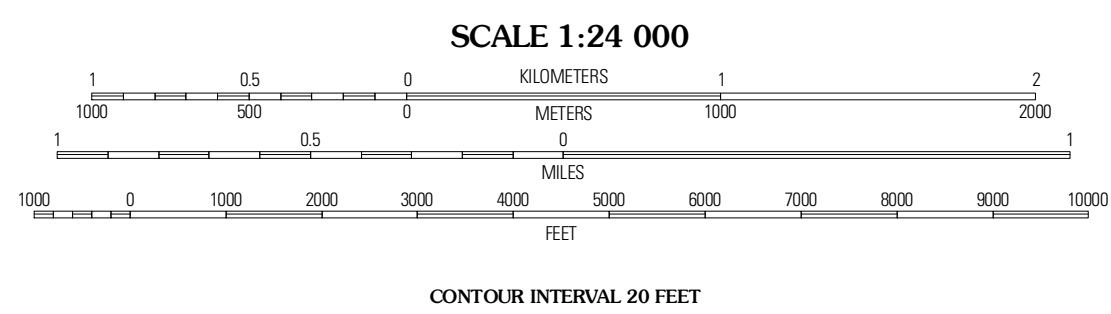
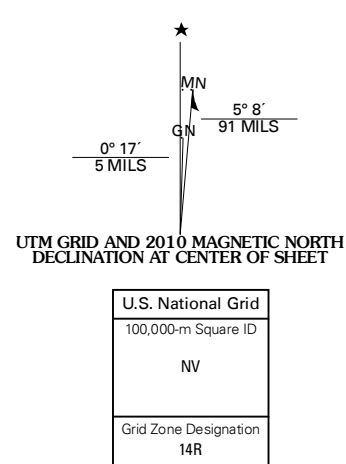




Produced by the United States Geological Survey  
North American Datum of 1983 (NAD83)  
World Geodetic System of 1984 (WGS84), Projection and  
1 000-meter grid; Universal Transverse Mercator, Zone 14R  
10 000-foot ticks; Texas Coordinate System of 1983  
(central zone)

Imagery.....NAIP, September 2008  
Roads.....US Census Bureau TIGER data  
with limited USGS updates, 2004 - 2008  
Names.....GNIS, 2008  
Hydrography.....National Hydrography Dataset, 1995  
Contours.....National Elevation Dataset, 2003



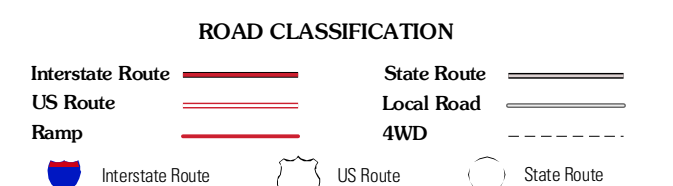
This map was produced to conform with version 0.5.10 of the  
draft USGS Standards for 7.5-Minute Quadrangle Maps.  
A metadata file associated with this product is also draft version 0.5.10



QUADRANGLE LOCATION

Bend	German Falls	Nix
Indian Hills	Tow	Naruna
Lane Grove	Lake Buchanan	Council Creek

ADJOINING 7.5' QUADRANGLES  
TX 3098-433



TOW, TX  
2010