



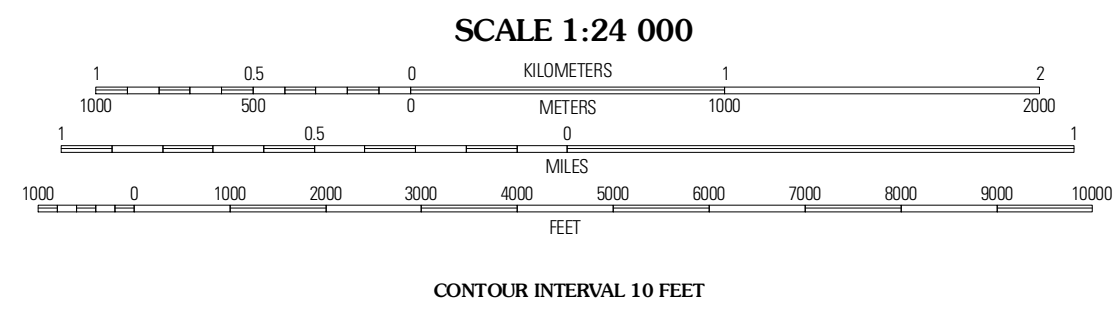
Produced by the United States Geological Survey  
North American Datum of 1983 (NAD83)  
World Geodetic System of 1984 (WGS84). Projection and  
1 000-meter grid: Universal Transverse Mercator, Zone 14R  
10 000-foot ticks: Texas Coordinate System of 1983  
(south central zone)

Imagery.....NAIP, May 2008  
Roads.....US Census Bureau TIGER data  
with limited USGS updates, 2004 - 2005  
Names.....GNIS, 2008  
Hydrography.....National Hydrography Dataset, 1996  
Contours.....National Elevation Dataset, 2008

UTM GRID AND 2010 MAGNETIC NORTH DECLINATION AT CENTER OF SHEET

U.S. National Grid  
100,000 m Square ID  
QT  
Grid Zone Designation  
14R

11° 15' N  
4° 15' N  
75 MILS



This map was produced to conform with version 0.5.10 of the  
draft USGS Standards for 7.5-Minute Quadrangle Maps.  
A metadata file associated with this product is also draft version 0.5.10

QUADRANGLE LOCATION

Swiss Alp	Ammanville	Ellinger
Schulenburg	Weimar	Borden
Moravia	Oakland	Sawmill Branch

ADJOINING 7.5' QUADRANGLES  
TX 2996-324

**ROAD CLASSIFICATION**

Interstate Route

US Route

State Route

Local Road

4WD

Interstate Ramp

US Route

State Route

**WEIMAR, TX**  
2010