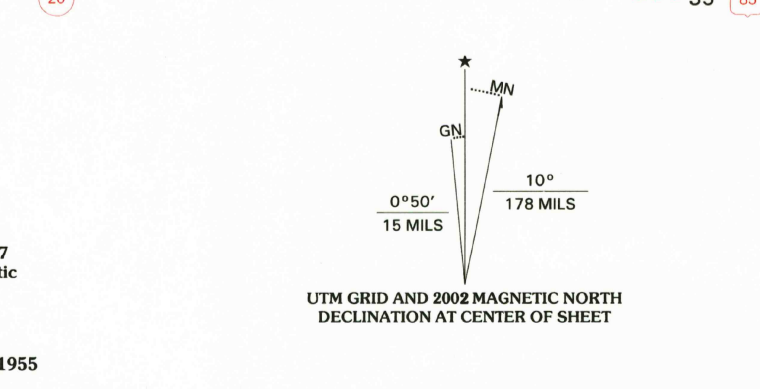


Produced by the United States Geological Survey Topography compiled 1954. Planimetry derived from imagery taken 1996 and other sources. Public Land Survey System and survey control current as of 1955. Boundaries current as of 2001. North American Datum of 1983 (NAD 83). Projection and 2 500-meter ticks: Universal Transverse Mercator, zone 13 (central zone). 10 000-foot ticks: Texas Coordinate System of 1983 (central zone). North American Datum of 1927 (NAD 27) is shown by dashed corner ticks. The values of the shift between NAD 83 and NAD 27 for 7.5-minute intersections are obtainable from National Geodetic Survey NADCON software. There may be private inholdings within the boundaries of the National or State reservations shown on this map. Houses of worship, schools, and other labeled buildings verified 1955.



SCALE 1:24 000 SUPPLEMENTARY CONTOUR INTERVAL 5 AND 10 FEET NATIONAL GEODETIC VERTICAL DATUM OF 1929 (TO CONVERT ELEVATIONS TO THE NORTH AMERICAN VERTICAL DATUM OF 1988, ADD 2 FEET) TO CONVERT FROM FEET TO METERS, MULTIPLY BY 0.3048

QUADRANGLE LOCATION map of New Mexico showing the location of the Anthony Quadrangle. ROAD CLASSIFICATION legend with symbols for primary, secondary, and unimproved roads. RECEIVED stamp dated SEP 30 2002. ANTHONY, NM-TX 1996. NIMA 4648 II SE-SERIES V881. A table of adjoining quadrangles with numbers 1-8 and names like San Miguel, Bishop Cap, Newman NW, La Mesa, Newman SW, La Union, Canutillo, and North Franklin Mountain.